

4

3

2

DWG. NO. 100-T-ME SHEET 1 REV B

1

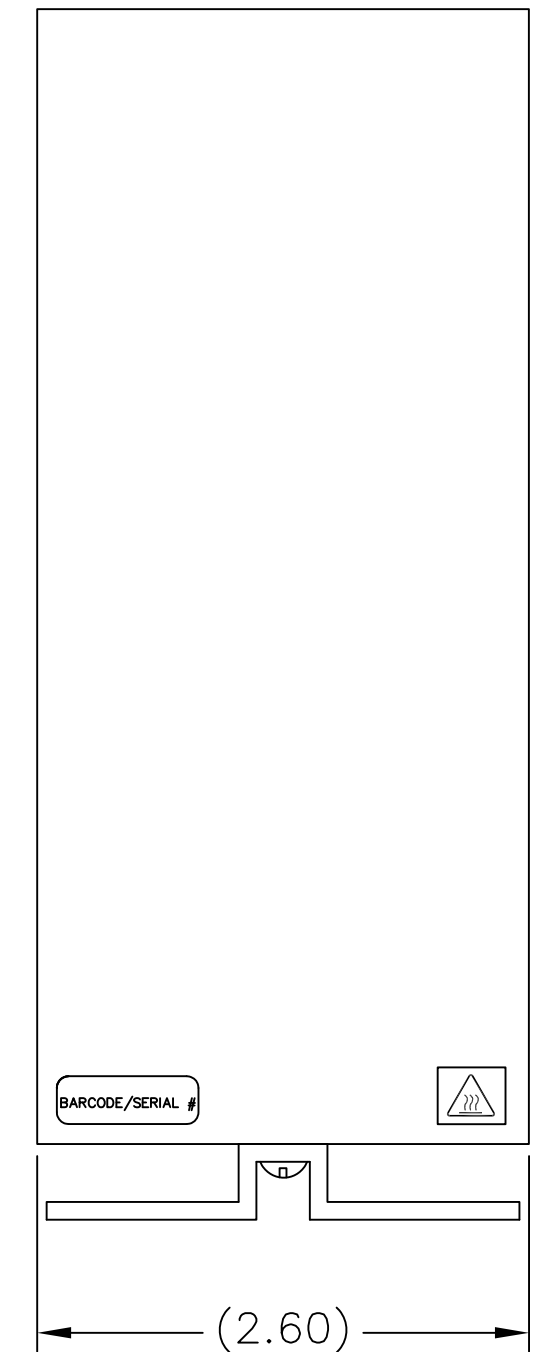
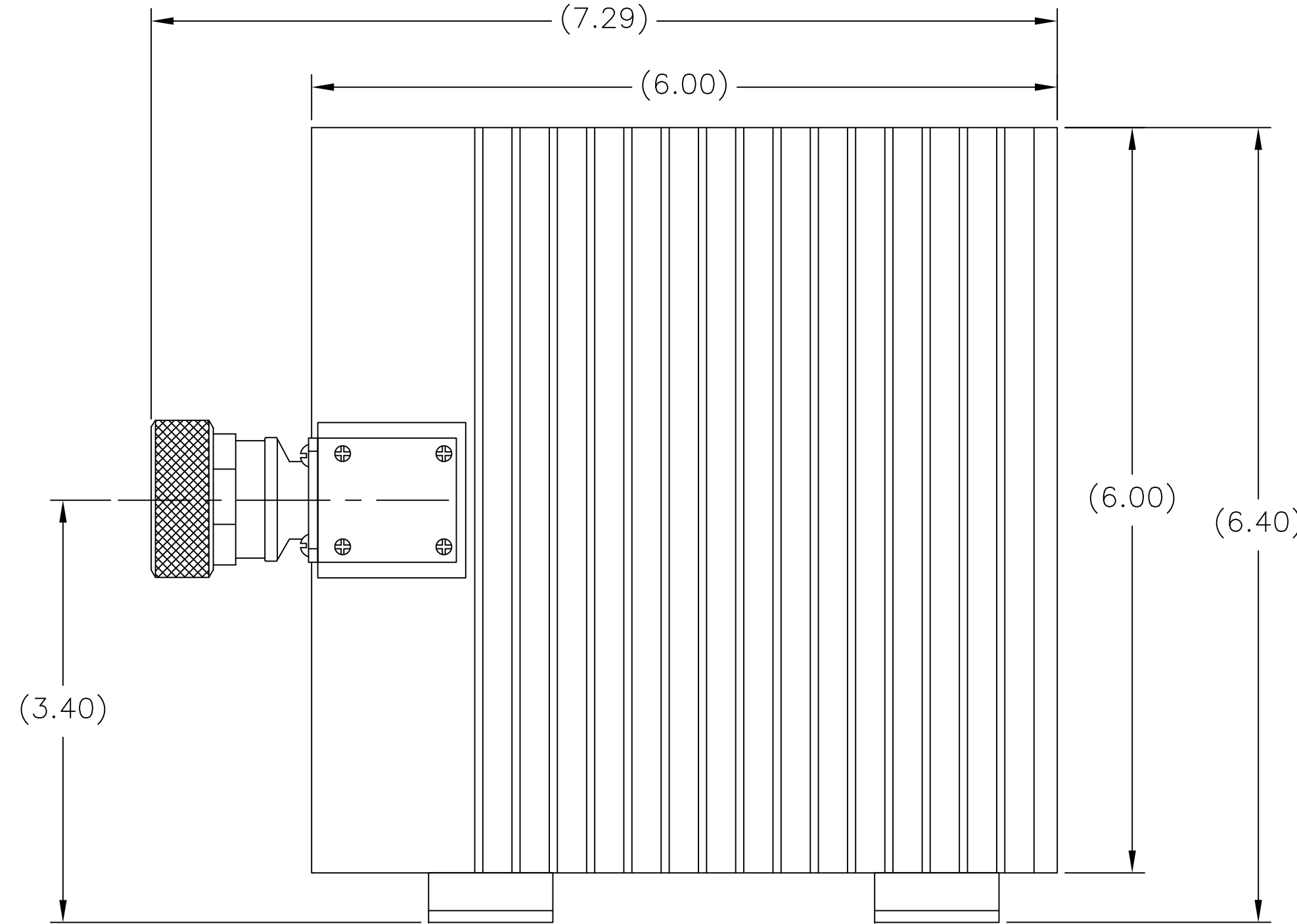
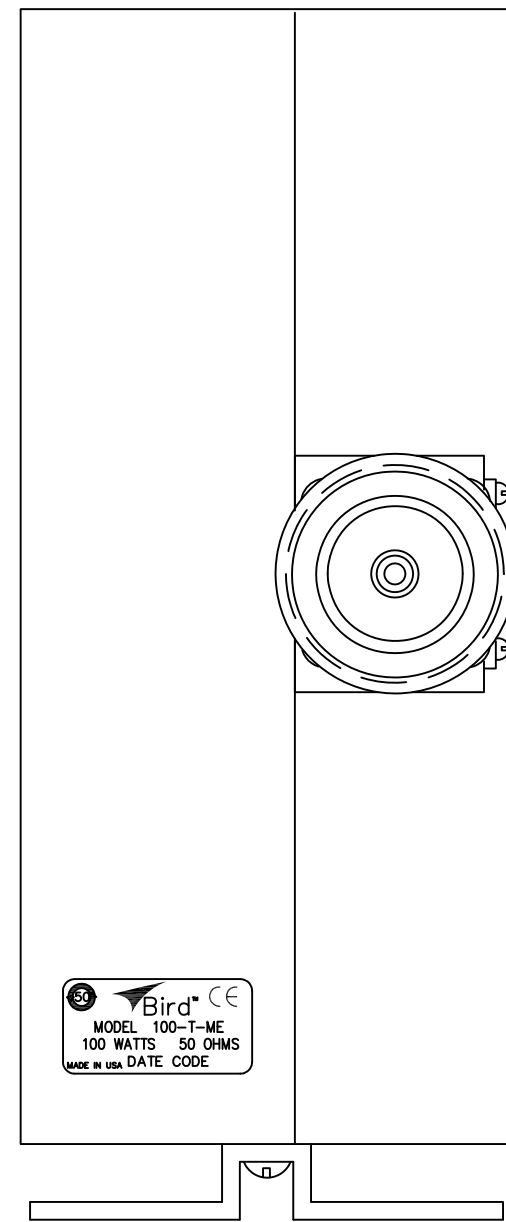
REVISIONS			
REV	DESCRIPTION	DATE	APPROVED
A	CONVERT TO BTG FORMAT	9-23-08	DMD
B	FREQ RANGE TO 3GHz, UPDATE LABELING/DRAWING FORMAT ECO: 15851/DMD	12-2-15	

D

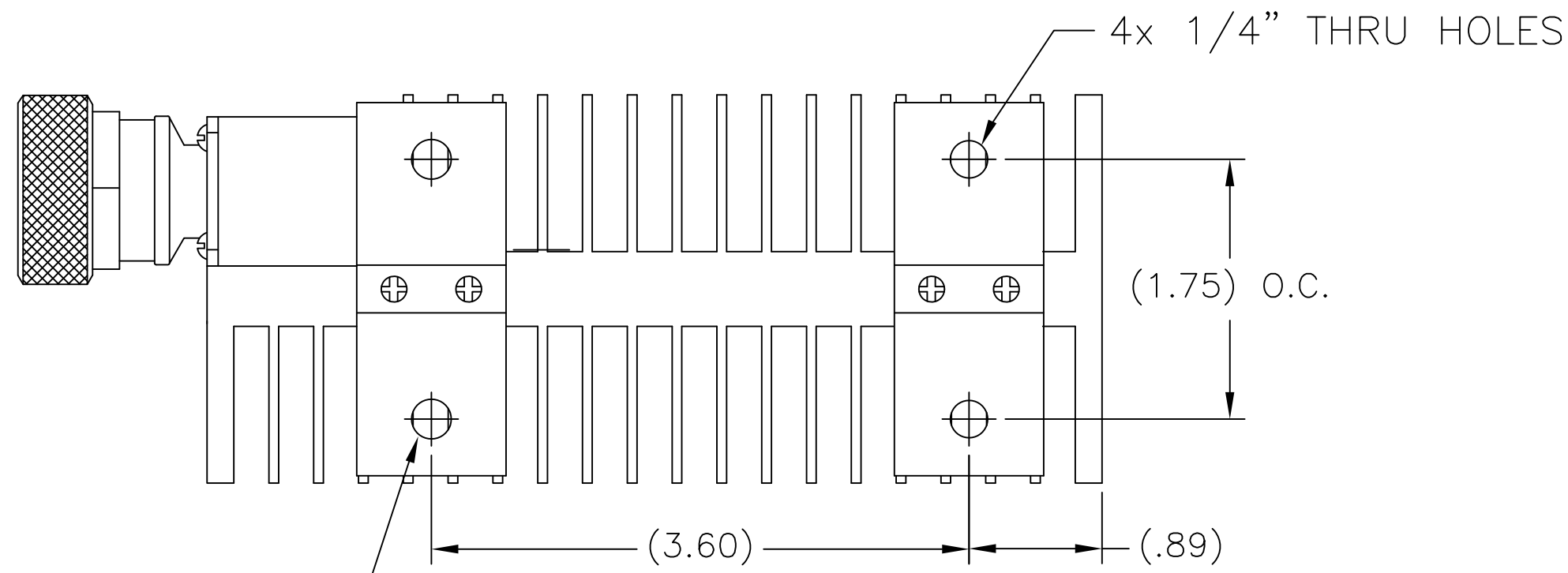
C

B

A



SPECIFICATIONS:
 IMPEDANCE: 50 OHMS NOMINAL
 POWER RATING: 100 CW AT 40°C
 125 CW AT 25°C
 -DERATED LINEARLY TO 0 WATTS FROM 40°C TO 120°C
 PEAK POWER: 2.5kW MAX, PULSES NOT TO EXCEED 1mS
 -DUTY CYCLE NOT TO EXCEED AVERAGE RATED POWER
FREQUENCY RANGE & VSWR:
 DC TO 1 GHz AT 1.10:1 MAX.
 1 GHz TO 3 GHz AT 1.25:1 MAX.
CONNECTOR: 7/16 DIN MALE
OPERATING POSITION: MOUNTING BRACKETS DOWN
AMBIENT TEMPERATURE: -45°C TO +40°C
OPERATING TEMPERATURE: -45°C TO +120°C
HUMIDITY: 95% NON-CONDENSED
WEIGHT: APPROX. 3.5 LBS
MATERIALS: ALL RoHS COMPLIANT
 CONNECTOR BODY: BRASS
 HOUSING/COVER: ALUMINUM
 COOLING FIN: ALUMINUM
 CONTACT: BRASS OR BERYLLIUM COPPER
 INSULATOR: TEFLON (PTFE)
FINISH: ALL RoHS COMPLIANT
 CONNECTOR BODY/HOUSING/COVER: TRI-METAL
 COOLING FIN: BLACK ANODIZE
 CONTACT: SILVER OR GOLD PLATED



OTHER MOUNTING PATTERNS
 AVAILABLE ON SPECIAL REQUEST

DIMENSIONS HEREON ARE FOR CUSTOMER
 CONVENIENCE AND REFERENCE ONLY.
 TOLERANCE TO BE APPLIED ONLY WHERE
 INDIVIDUALLY STATED ON THE RESPECTIVE
 DIMENSION. -DO NOT SCALE DRAWING-

UNLESS OTHERWISE SPECIFIED DIMENSIONS ARE IN INCHES		APPROVALS		DATE															
TOLERANCES ARE:		DRN	DMD	9-23-08															
FRACTIONS ±1/64	DECIMALS .XX = ±.010 .XXX = ±.005	CHK	D.M.RINK	9-23-08															
ANGLES ±30'	MILLIMETERS .X = ±.4 .XX = ±.12	APP																	
DO NOT SCALE DRAWING		MATERIAL	CODE	TITLE	TERMINATION, CONVECTION COOLED, 7/16 DIN MALE, DC TO 3GHz, 100W														
THIS DRAWING IS THE PROPERTY OF THE BIRD TECHNOLOGIES GROUP OR BIRD ELECTRONIC CORPORATION. THE DESIGNS AND SPECIFICATIONS DISCLOSED HEREON ARE PROPRIETARY AND SHALL NOT BE REPRODUCED, NOR COPIED, NOR USED AS THE BASIS FOR THE MANUFACTURE OR SALE OF APPARATUS OR DEVICES WITHOUT THEIR EXPRESS WRITTEN CONSENT.		FINISH	CODE	<table border="1"> <tr> <td>FSCM NO.</td> <td>SCALE</td> <td>DWG. NO.</td> <td>REV</td> </tr> <tr> <td>70998</td> <td>1:1</td> <td>100-T-ME</td> <td>B</td> </tr> </table>	FSCM NO.	SCALE	DWG. NO.	REV	70998	1:1	100-T-ME	B	<table border="1"> <tr> <td>PROJ./LIB</td> <td>COMM CODE</td> <td>SHEET</td> </tr> <tr> <td>AUTOCAD</td> <td>LD1</td> <td>1 OF 1</td> </tr> </table>	PROJ./LIB	COMM CODE	SHEET	AUTOCAD	LD1	1 OF 1
FSCM NO.	SCALE	DWG. NO.	REV																
70998	1:1	100-T-ME	B																
PROJ./LIB	COMM CODE	SHEET																	
AUTOCAD	LD1	1 OF 1																	

4

3

2

1