

4

3

2

DWG. NO. 100-T-FB SHEET 1 REV C

1

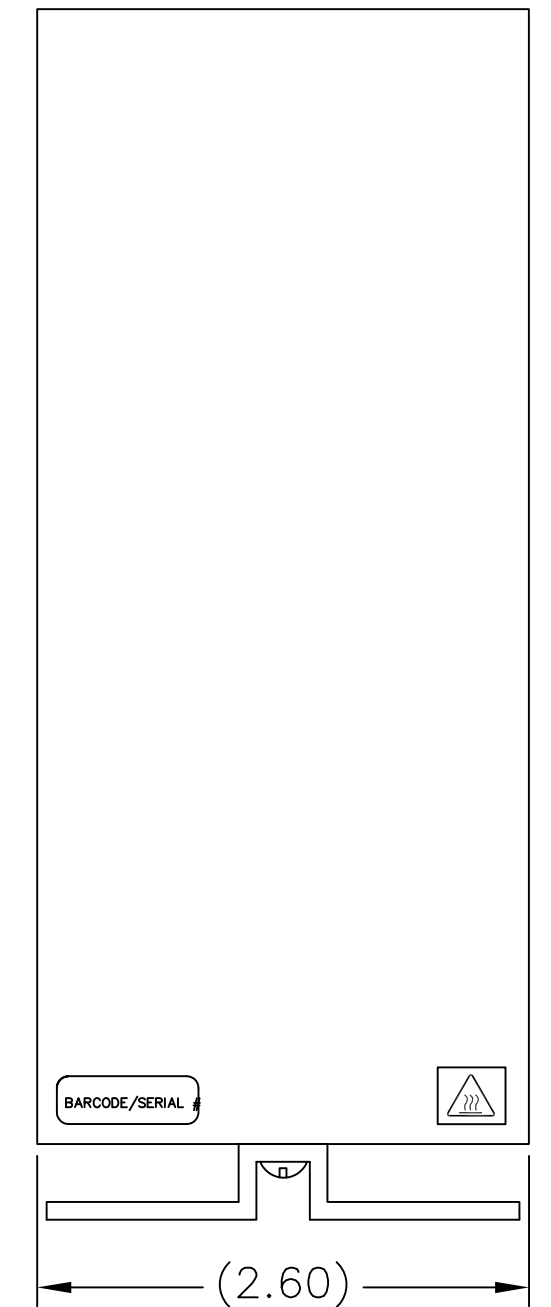
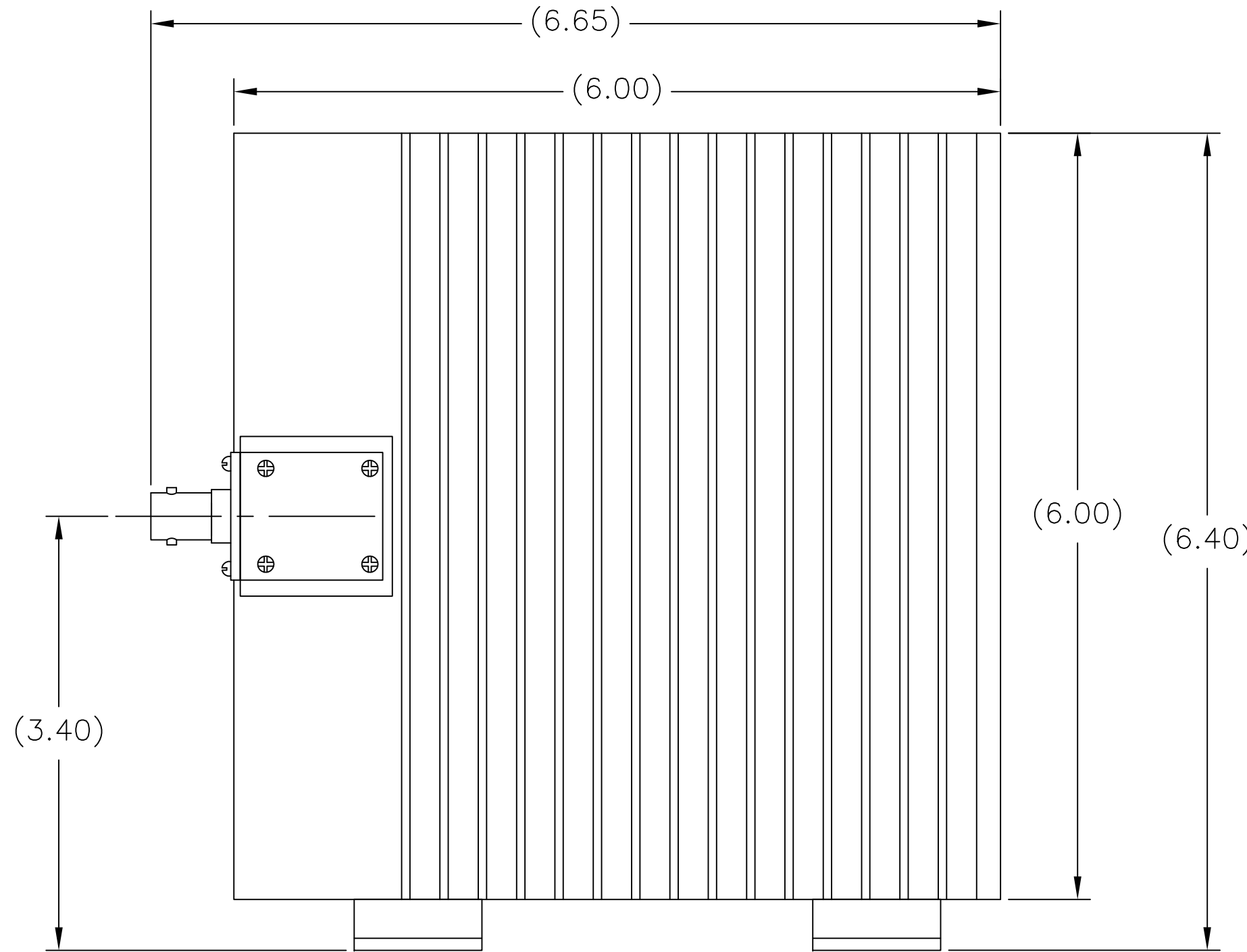
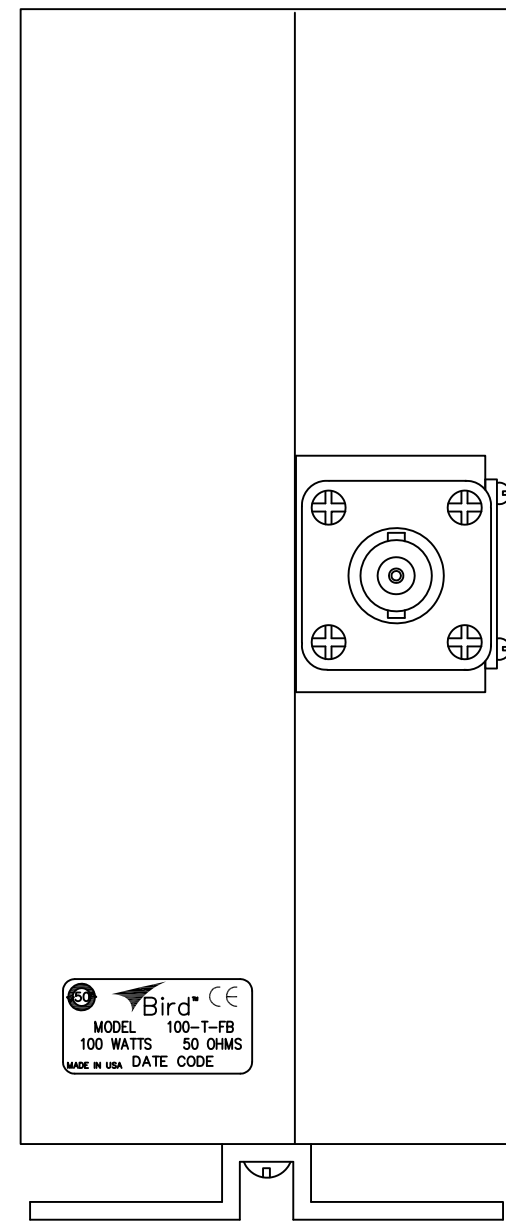
REVISIONS			
REV	DESCRIPTION	DATE	APPROVED
B	REMOVE TERMALINE LABEL	DMR 6-28-08	DMD
C	FREQ RANGE TO 3GHz, UPDATE LABELING/DRAWING FORMAT ECO: 15851/DMD	11-25-15	

D

C

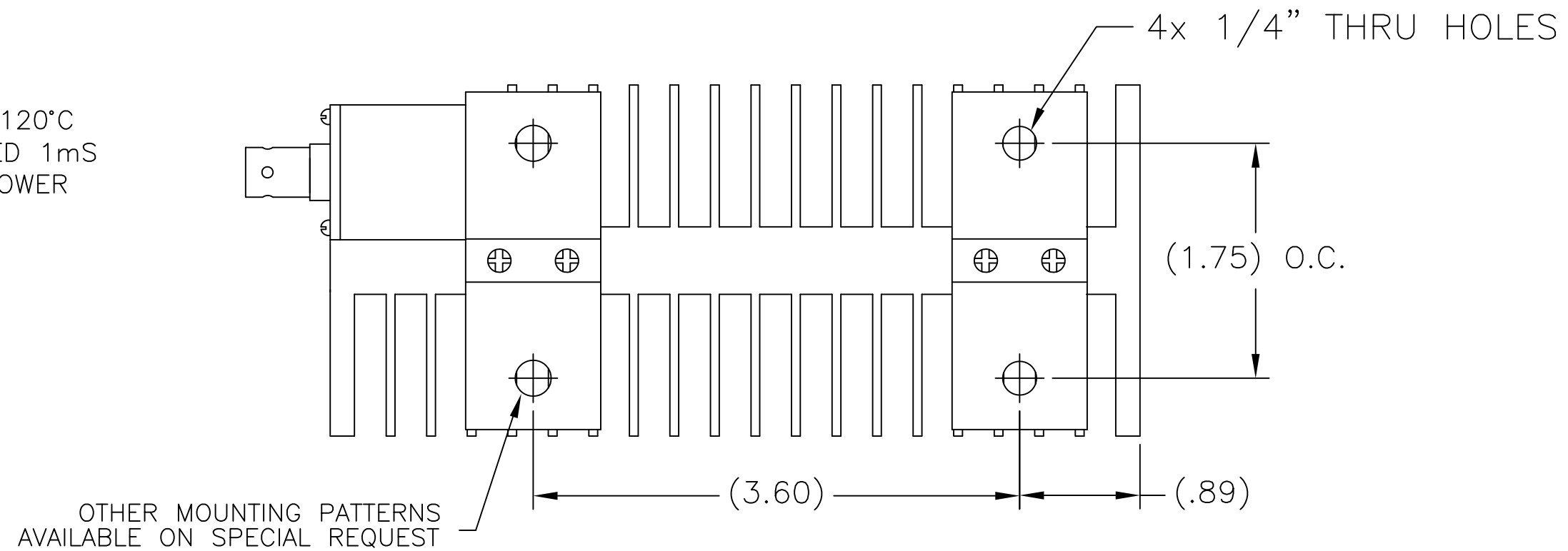
B

A



**SPECIFICATIONS:**  
 IMPEDANCE: 50 OHMS NOMINAL  
 POWER RATING: 100 CW AT 40°C  
 125 CW AT 25°C  
 -DERATED LINEARLY TO 0 WATTS FROM 40°C TO 120°C  
 PEAK POWER: 2.5kW MAX, PULSES NOT TO EXCEED 1ms  
 -DUTY CYCLE NOT TO EXCEED AVERAGE RATED POWER  
 FREQUENCY RANGE & VSWR:  
 DC TO 1 GHz AT 1.10:1 MAX.  
 1 GHz TO 3 GHz AT 1.25:1 MAX.  
 CONNECTOR: BNC FEMALE  
 OPERATING POSITION: MOUNTING BRACKETS DOWN  
 AMBIENT TEMPERATURE: -45°C TO +40°C  
 OPERATING TEMPERATURE: -45°C TO +120°C  
 HUMIDITY: 95% NON-CONDENSED  
 WEIGHT: APPROX. 3.4 LBS

**MATERIALS:** ALL RoHS COMPLIANT  
 CONNECTOR BODY: BRASS  
 HOUSING/COVER: ALUMINUM  
 COOLING FIN: ALUMINUM  
 CONTACT: BRASS OR BERYLLIUM COPPER  
 INSULATOR: TEFLON (PTFE)  
**FINISH:** ALL RoHS COMPLIANT  
 CONNECTOR BODY/HOUSING/COVER: TRI-METAL  
 COOLING FIN: BLACK ANODIZE  
 CONTACT: SILVER OR GOLD PLATED



OTHER MOUNTING PATTERNS AVAILABLE ON SPECIAL REQUEST

DIMENSIONS HEREON ARE FOR CUSTOMER CONVENIENCE AND REFERENCE ONLY. TOLERANCE TO BE APPLIED ONLY WHERE INDIVIDUALLY STATED ON THE RESPECTIVE DIMENSION. -DO NOT SCALE DRAWING-

UNLESS OTHERWISE SPECIFIED DIMENSIONS ARE IN INCHES		APPROVALS		DATE	
TOLERANCES ARE:		DRN	DMD	11-11-02	
FRACTIONS ±1/64	DECIMALS .XX = ±.010 .XXX = ±.005	CHK			
ANGLES ±30'	MILLIMETERS .X = ±.4 .XX = ±.12	APP	DMD		
DO NOT SCALE DRAWING		MATERIAL	CODE	TITLE	TERMINATION, CONVECTION COOLED, BNC FEMALE, DC TO 3GHz, 100W
THIS DRAWING IS THE PROPERTY OF THE BIRD TECHNOLOGIES GROUP OR BIRD ELECTRONIC CORPORATION. THE DESIGNS AND SPECIFICATIONS DISCLOSED HEREON ARE PROPRIETARY AND SHALL NOT BE REPRODUCED, NOR COPIED, NOR USED AS THE BASIS FOR THE MANUFACTURE OR SALE OF APPARATUS OR DEVICES WITHOUT THEIR EXPRESS WRITTEN CONSENT.		FINISH	CODE	PROJ./LIB	AUTOCAD
		SCALE		DWG. NO.	100-T-FB
		1:1		REV	C
		COMM CODE		SHEET	1 OF 1
		LD1			

4

3

2

1