

4

3

2

DWG. NO. 100-T-FD SHEET 1 REV B

1

REVISIONS			
REV	DESCRIPTION	DATE	APPROVED
A	FINAL RELEASE ECO: R1612	7-17-14	DMD
B	UPDATE LABELING, ADD DERATING ECO: 15851/DMD	12-1-15	

D

D

C

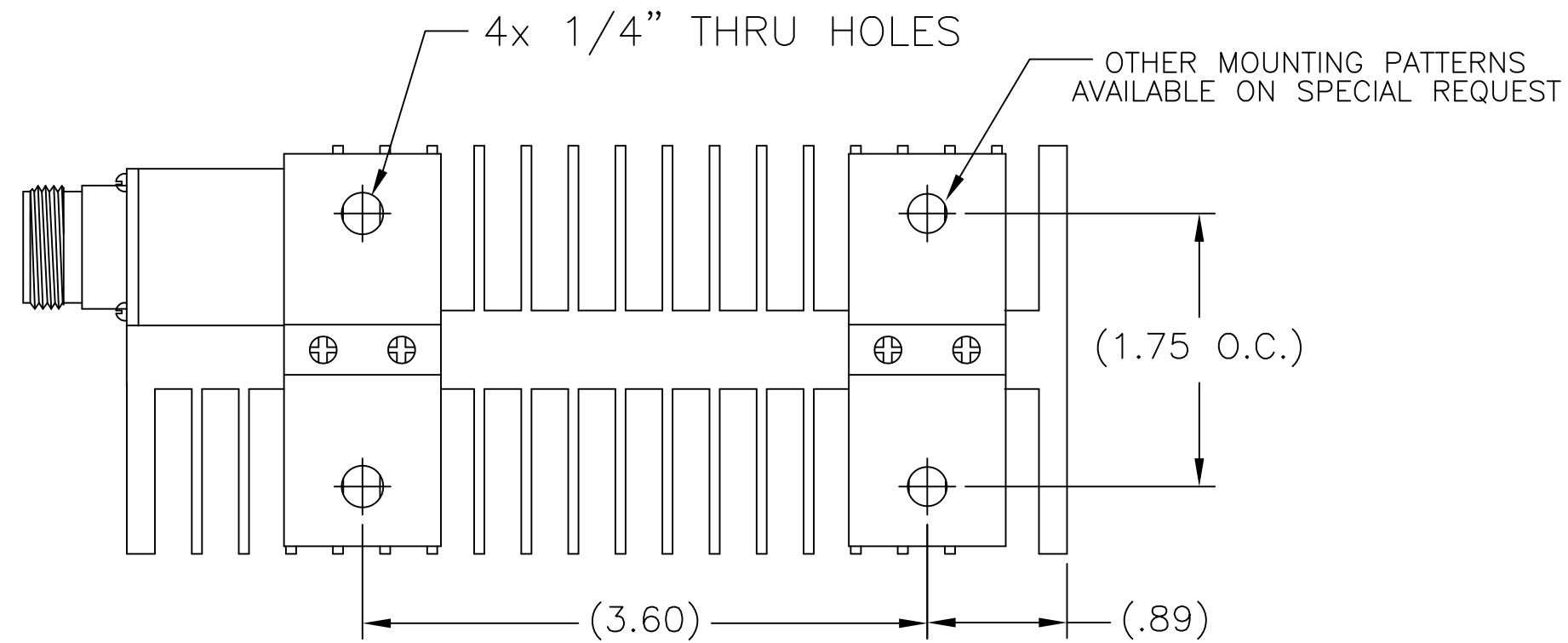
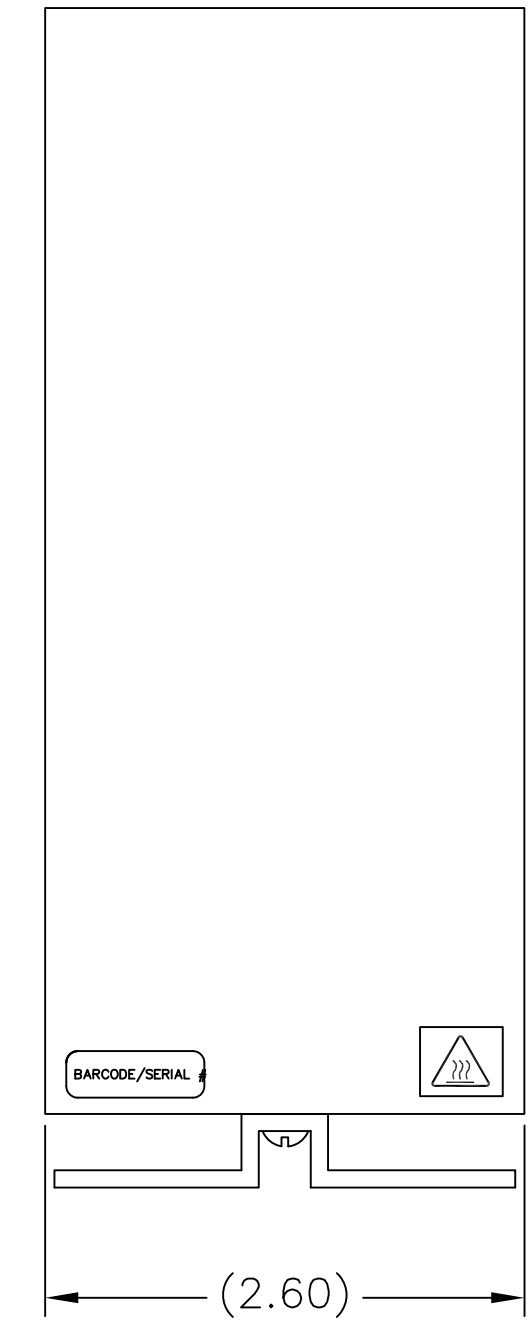
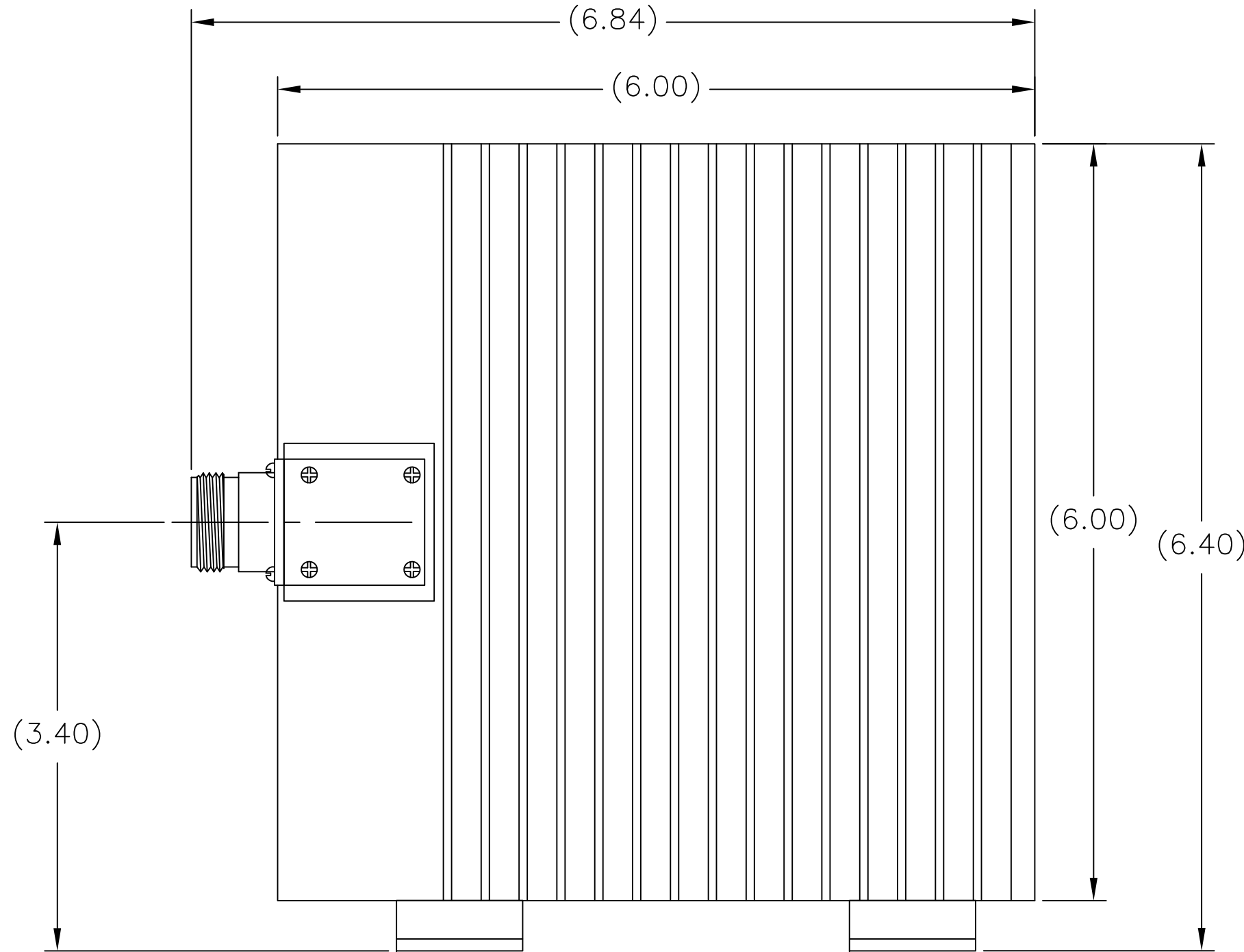
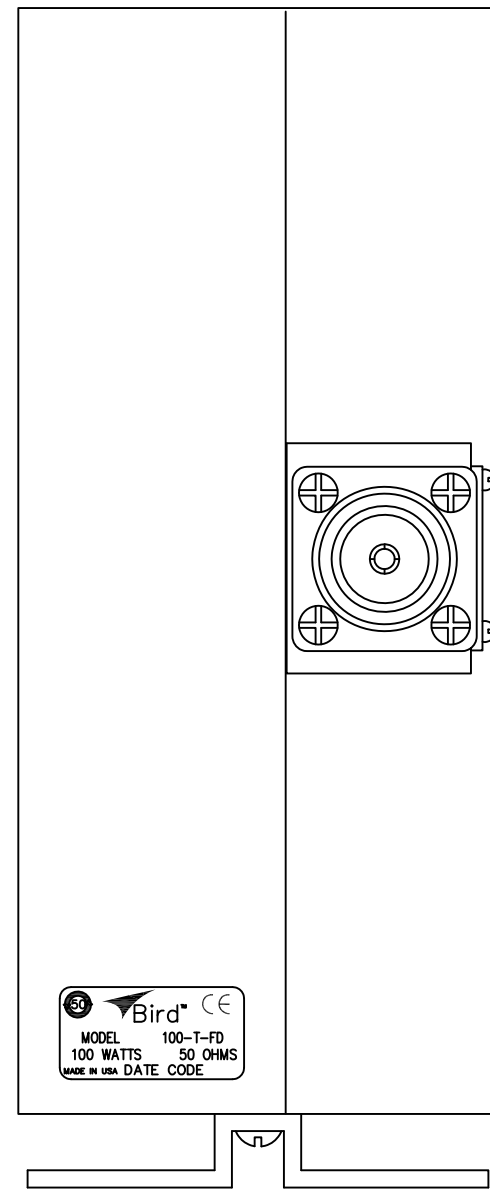
C

B

B

A

A



SPECIFICATIONS:
 IMPEDANCE: 50 OHMS NOMINAL
 POWER RATING: 100 CW AT 40°C
 125 CW AT 25°C
 -DERATED LINEARLY TO 0 WATTS FROM 40°C TO 120°C
 PEAK POWER: 2.5kW MAX, PULSES NOT TO EXCEED 1ms
 -DUTY CYCLE NOT TO EXCEED AVERAGE RATED POWER
FREQUENCY RANGE & VSWR:
 DC TO 1 GHz AT 1.10:1 MAX.
 1 GHz TO 3 GHz AT 1.25:1 MAX.
CONNECTOR: 4.1/9.5 MINI DIN FEMALE
OPERATING POSITION: ANY
AMBIENT TEMPERATURE: -45°C TO +40°C
OPERATING TEMPERATURE: -45°C TO +120°C
HUMIDITY: 95% NON-CONDENSED
WEIGHT: APPROX. 3.4 LBS

MATERIALS: ALL RoHS COMPLIANT
 CONNECTOR BODY/COUPLING NUT: BRASS
 HOUSING/COVER: ALUMINUM
 COOLING FIN: ALUMINUM
 CONTACT: BRASS OR BERYLLIUM COPPER
 INSULATOR: TEFLON (PTFE)

FINISH: ALL RoHS COMPLIANT
 CONNECTOR BODY/HOUSING: TRI-METAL
 HOUSING/COVER: TRI-METAL
 COOLING FIN: BLACK ANODIZE
 CONTACT: SILVER OR GOLD PLATED

UNLESS OTHERWISE SPECIFIED DIMENSIONS ARE IN INCHES		APPROVALS		DATE	
TOLERANCES ARE:		DRN	DMD	7-17-14	
FRACTIONS ±1/64	DECIMALS .xx = ±.010	CHK	DMD	7-21-14	
	.xxx = ±.005	APP	DMD	7-21-14	
ANGLES ±30'	MILLIMETERS .x = ±.4	MATERIAL CODE			
	.xx = ±.12	FINISH CODE			
DO NOT SCALE DRAWING		TITLE TERMINATION, CONVECTION COOLED, 4.1/9.5 MINI DIN FEMALE, DC-3GHz, 100W			
THIS DRAWING IS THE PROPERTY OF THE BIRD TECHNOLOGIES GROUP OR BIRD ELECTRONIC CORPORATION. THE DESIGNS AND SPECIFICATIONS DISCLOSED HEREON ARE PROPRIETARY AND SHALL NOT BE REPRODUCED, NOR COPIED, NOR USED AS THE BASIS FOR THE MANUFACTURE OR SALE OF APPARATUS OR DEVICES WITHOUT THEIR EXPRESS WRITTEN CONSENT.		C		FSCM NO. 70998	SCALE 1:1
		PROJ./LIB AUTOCAD		DWG. NO. 100-T-FD	REV B
		COMM CODE LD1		SHEET 1 OF 1	

4

3

2

1