

4

3

2

DWG. NO. 100-T-MN SHEET 1 REV E

1

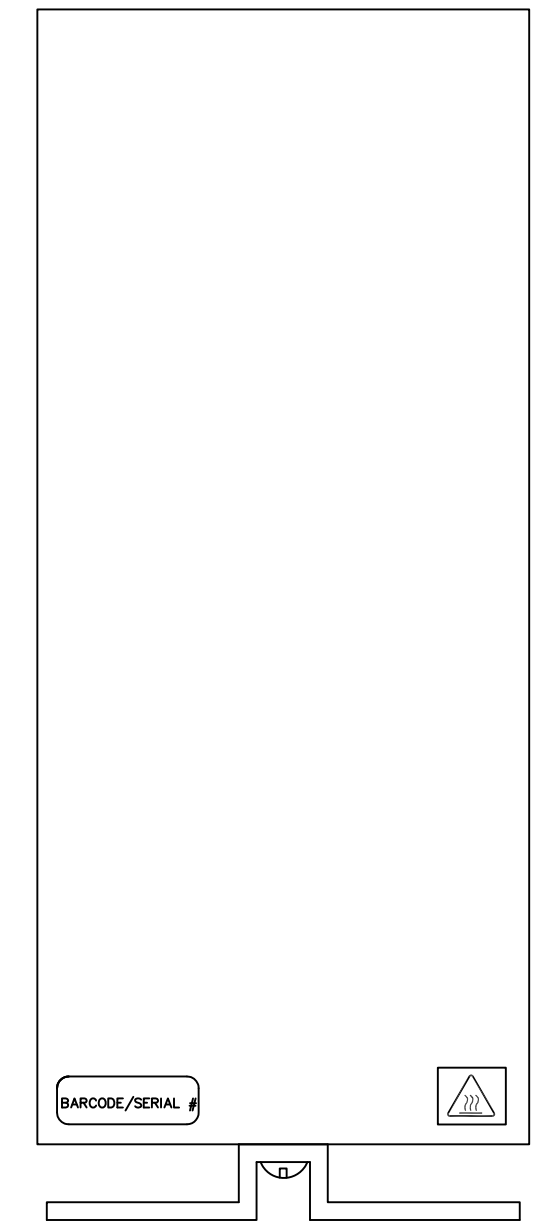
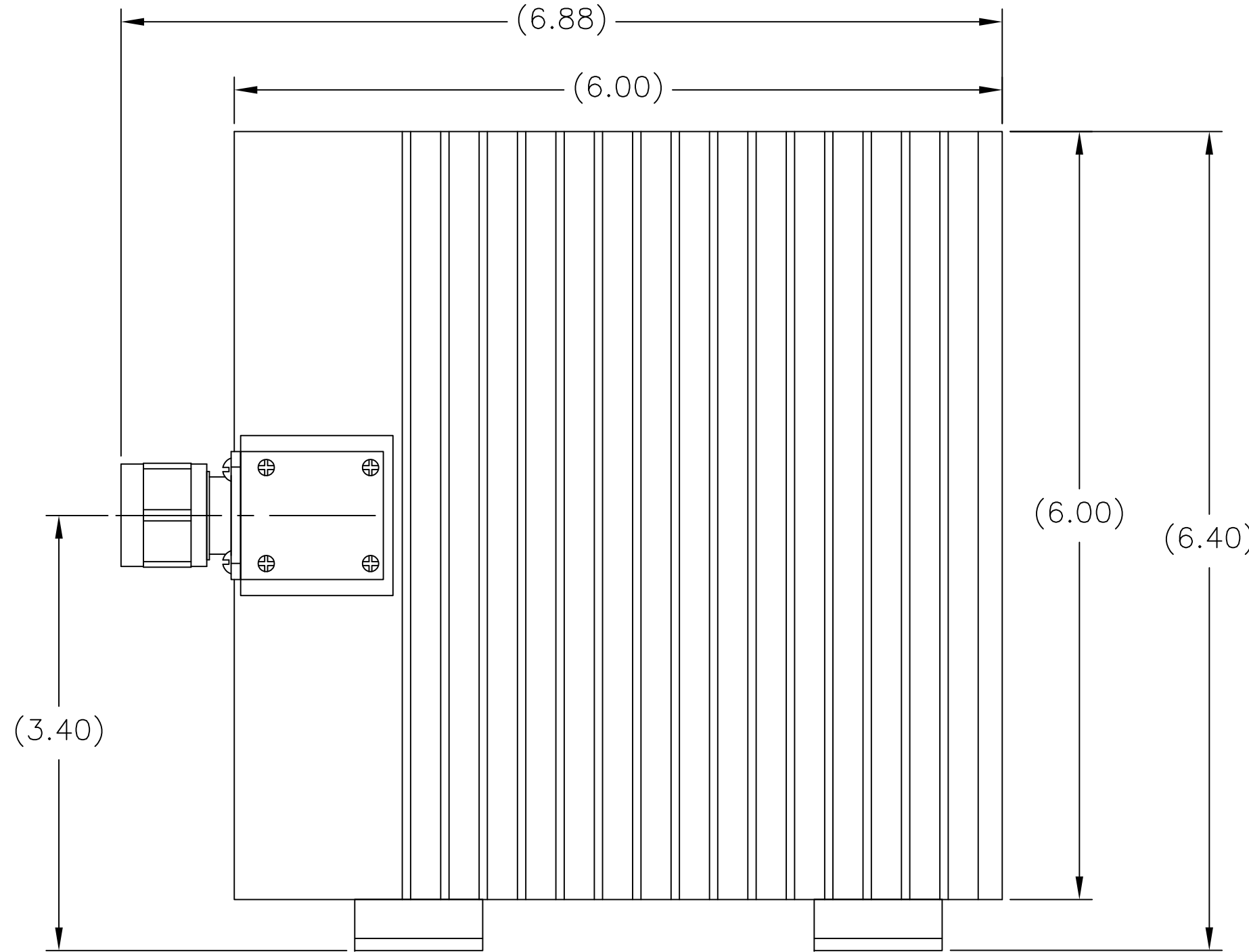
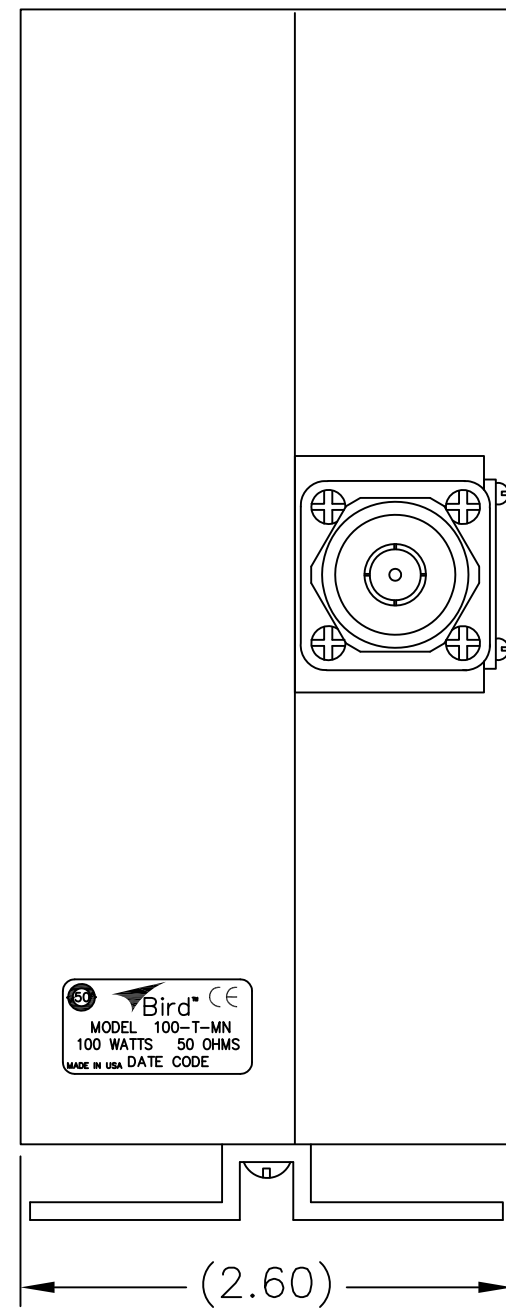
REVISIONS			
REV	DESCRIPTION	DATE	APPROVED
C	REMOVE PRODUCT LABEL/REFORMAT/ECO 13425 dmr	2-25-09	DMD
D	ADD PRODUCT AND HOT SURF. LABEL ECO: 14248 /DMD	8/17/10	DMD
E	FREQ RANGE TO 3GHz, UPDATE LABELING/DRAWING FORMAT ECO: 15851/DMD	12-2-15	<i>[Signature]</i>

D

C

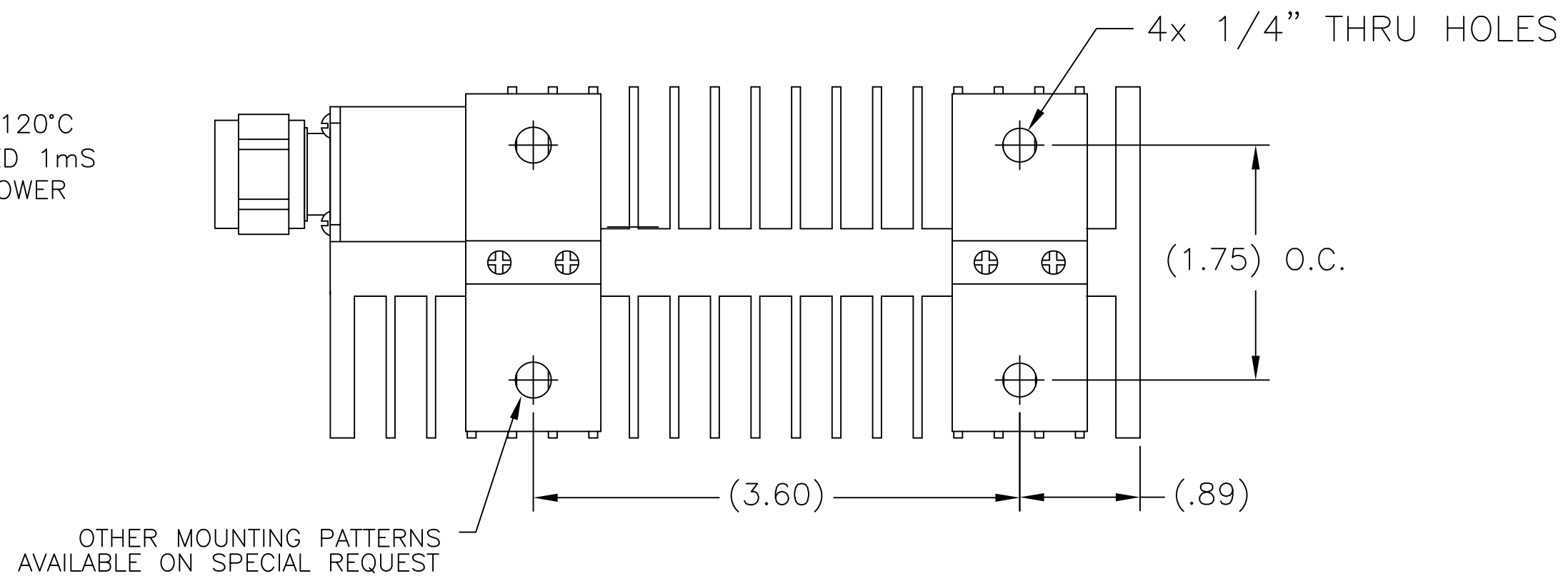
B

A



SPECIFICATIONS:
 IMPEDANCE: 50 OHMS NOMINAL
 POWER RATING: 100 CW AT 40°C
 125 CW AT 25°C
 -DERATED LINEARLY TO 0 WATTS FROM 40°C TO 120°C
 PEAK POWER: 2.5kW MAX, PULSES NOT TO EXCEED 1ms
 -DUTY CYCLE NOT TO EXCEED AVERAGE RATED POWER
 FREQUENCY RANGE & VSWR:
 DC TO 1 GHz AT 1.10:1 MAX.
 1 GHz TO 3 GHz AT 1.25:1 MAX.
 CONNECTOR: N-TYPE MALE
 OPERATING POSITION: MOUNTING BRACKETS DOWN
 AMBIENT TEMPERATURE: -45°C TO +40°C
 OPERATING TEMPERATURE: -45°C TO +120°C
 HUMIDITY: 95% NON-CONDENSED
 WEIGHT: APPROX. 3.4 LBS

MATERIALS: ALL RoHS COMPLIANT
 CONNECTOR BODY: BRASS
 HOUSING/COVER: ALUMINUM
 COOLING FIN: ALUMINUM
 CONTACT: BRASS OR BERYLLIUM COPPER
 INSULATOR: TEFLON (PTFE)
 FINISH: ALL RoHS COMPLIANT
 CONNECTOR BODY/HOUSING/COVER: TRI-METAL
 COOLING FIN: BLACK ANODIZE
 CONTACT: SILVER OR GOLD PLATED



OTHER MOUNTING PATTERNS
 AVAILABLE ON SPECIAL REQUEST

DIMENSIONS HEREON ARE FOR CUSTOMER
 CONVENIENCE AND REFERENCE ONLY.
 TOLERANCE TO BE APPLIED ONLY WHERE
 INDIVIDUALLY STATED ON THE RESPECTIVE
 DIMENSION. -DO NOT SCALE DRAWING-

UNLESS OTHERWISE SPECIFIED DIMENSIONS ARE IN INCHES
 TOLERANCES ARE:
 FRACTIONS ±1/64 DECIMALS .xx = ±.010
 .xxx = ±.005
 ANGLES ±30' MILLIMETERS .x = ±.4
 .xx = ±.12
 DO NOT SCALE DRAWING

APPROVALS		DATE
DRN	D.M.RINK	11-8-02
CHK		
APP	D.M.D	11-8-02
MATERIAL	CODE	
FINISH	CODE	

Bird Technologies

TITLE: TERMINATION, CONVECTION COOLED,
 N-TYPE MALE, DC TO 3GHz, 100W

C	FSCM NO. 70998	SCALE 1:1	DWG. NO. 100-T-MN	REV E
PROJ./LIB	AUTOCAD	COMM CODE LD1	SHEET 1 OF 1	