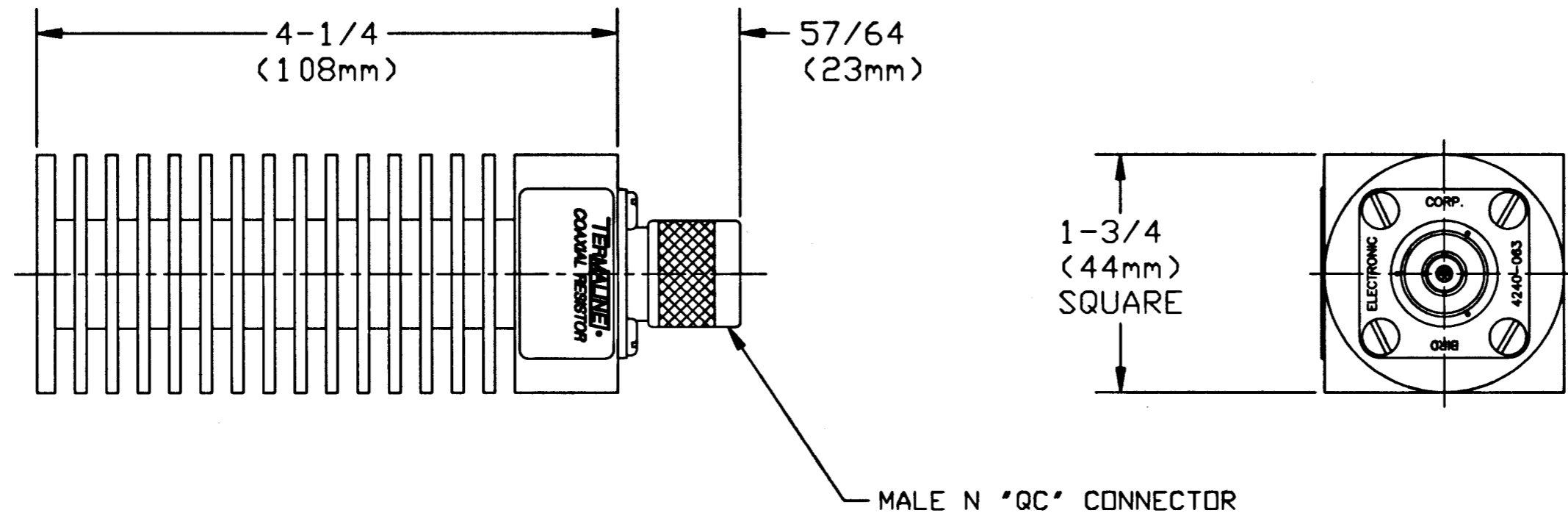


8085-000
 DWG NO. 1 OF 1

REVISIONS			
LTR.	SECTION	DESCRIPTION	DATE
D		REV. & REDRAWN PER ECN 9244 M.W.	10-3-94
E	E-1	REVISED PER ECN 10016 B.T.	3-7-97




MALE N "QC" CONNECTOR

SPECIFICATIONS

POWER: 50 WATTS CONTINUOUS
 FREQUENCY RANGE: DC-3500MHz
 VSWR: 1.1/1.0 MAX. DC TO 1000MHz
 1.25/1.0 MAX. 1000 TO 3500MHz
 QC TYPE CONNECTOR: MALE "N" NORMALLY SUPPLIED
 IMPEDANCE: 50 OHMS
 AMBIENT TEMP. RANGE: -40°C TO +45°C
 WEIGHT: 10 OZ. (0.3kg) APPROX.
 FINISH: SEMI-GLOSS BLACK ENAMEL
 FED. STD. 595 (TT-E-529)
 OPERATING POSITION: ANY
 MEETS EUROPEAN SAFETY STANDARD EN 61010-1
 WHICH IS IN ACCORDANCE WITH COUNCIL DIRECTIVE
 73/23/EEC AND 93/68/EEC.

DIMENSIONS HEREON ARE FOR CUSTOMER
 CONVENIENCE AND REFERENCE ONLY.
 TOLERANCE TO BE APPLIED ONLY WHERE
 INDIVIDUALLY STATED ON THE RESPECTIVE
 DIMENSION. -DO NOT SCALE DRAWING-

THIS DRAWING IS THE PROPERTY OF THE BIRD ELECTRONIC CORPORATION. THE DESIGNS AND SPECIFICATIONS DISCLOSED HEREON IS PROPRIETARY AND SHALL NOT BE REPRODUCED, NOR COPIED, NOR USED AS THE BASIS FOR THE MANUFACTURE OR SALE OF APPARATUS OR DEVICES WITHOUT THEIR EXPRESS WRITTEN CONSENT.		ITEM REQ.	DRAWING NO.	DESCRIPTION
		MATL.:		 DESCRIPTION: LOAD RESISTOR, TERMLINE MODEL 8085/OUTLINE
DRAWN A. SNYDER 10-3-94		FINISH: SEE SPECIFICATIONS		
CHECKED A. SNYDER 10-3-94		CODE IDENT. NO. 70998		ITEM TYPE:
APPROVED <i>J.M. Zuber</i> 5-20-97		COM. CD. LD1		SUB-DESCRIPTION: 50W, Q.C. M-N
		SIZE	8085-000	
		B	DRAWING NO. 1 OF 1	