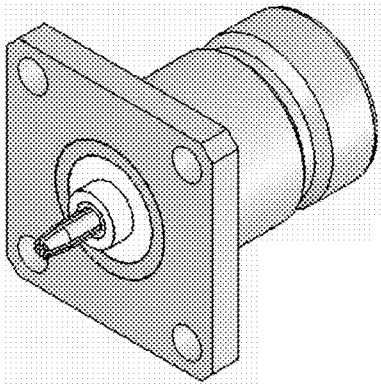
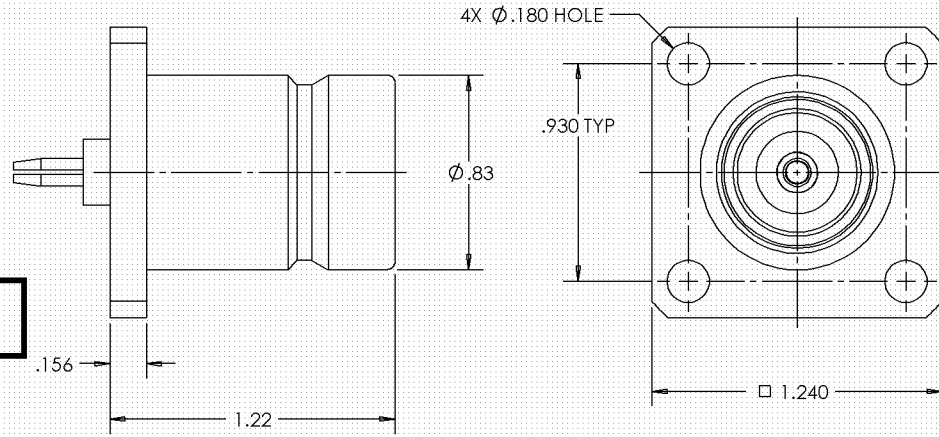


DRAWING / ITEM NUMBER	DESCRIPTION	REV
<b>4240-376</b>	<b>Conn., QRM(f) to QC</b>	<b>B</b>



CONNECTOR, COAXIAL, RF  
QRM(f) TO QC(m) ADAPTER



Approved Source



TRU Corporation  
248 LYNNFIELD STREET, PEABODY, MA 01862

RoHS  
COMPLIANT

TRU-15017 **4240-376**

ENGINEERING DATA:

ELECTRICAL:  
IMPEDANCE: 50 OHMS NOMINAL

MECHANICAL:  
INTERFACE: QRM(f) PER TRU SPEC.  
QC(m) PER TRU SPEC.

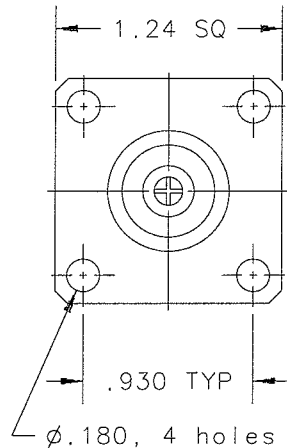
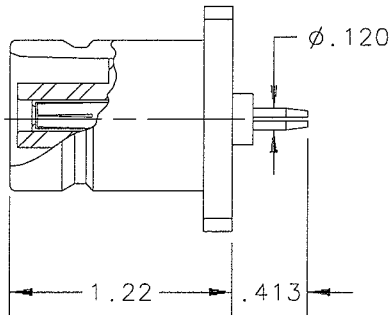
MATERIAL:  
INSULATOR: TEFLON per ASTM-D1710, II A  
CONTACTS: BERYLLIUM COPPER C17300, TD04 (H) per ASTM-B196  
OTHER METAL PARTS: BRASS C36000, H02 per ASTM-B16

FINISH:  
CONTACTS: SILVER PLATED  
OTHER METAL PARTS: NICKEL PLATED

NOTES:  
1. UNLESS OTHERWISE SPECIFIED; ALL  
DIMENSIONS ARE REFERENCE ONLY.

2. PRODUCT COMPLIES WITH ROHS DIRECTIVE 2002/95/EC.

CONNECTOR, COAXIAL, RF  
QRM(f) to QC(m)  
ADAPTER, STRAIGHT



ENGINEERING DATA:

ELECTRICAL:

IMPEDANCE: 50 Ohms nominal  
FREQUENCY RANGE: DC to 1.0 GHz

MATERIAL:

INSULATORS: Teflon  
CONTACTS: Beryllium Copper  
BODY: Brass

FINISH:

CONTACTS: Gold plated  
OTHER METAL PARTS: Nickel plated

TRU-1209-GNX **4240-376**

**NOT RoHS**