

4

3

2

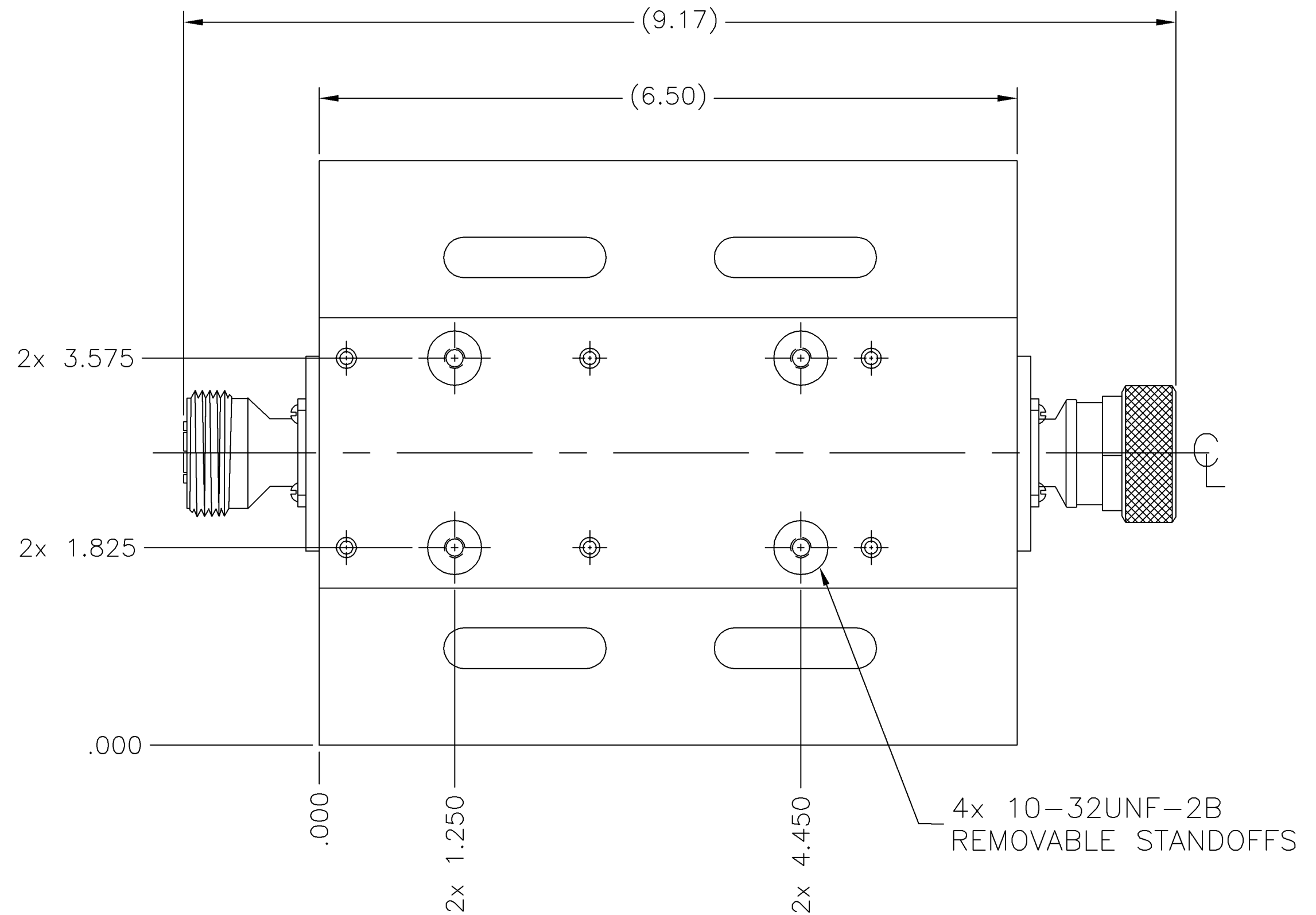
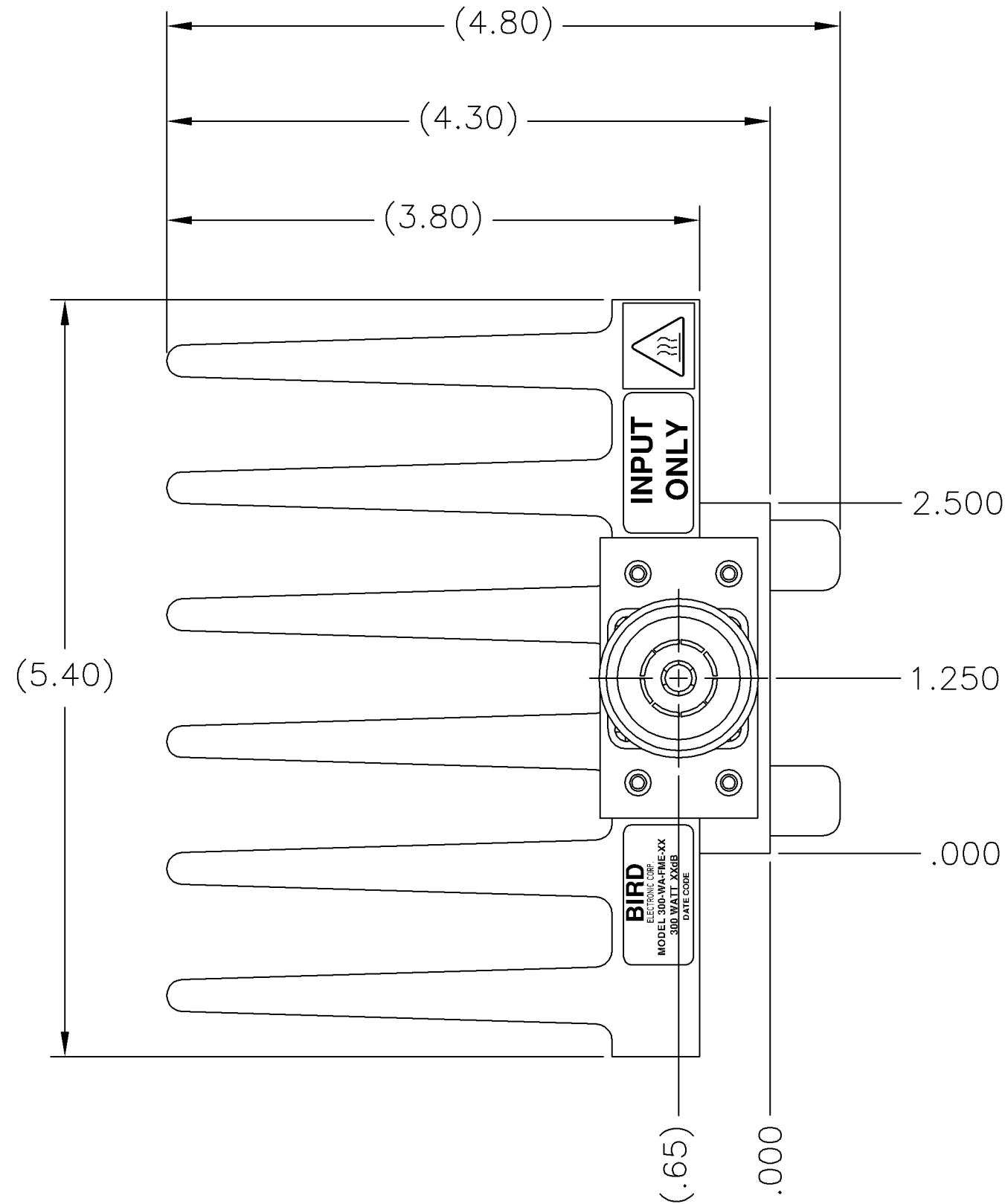
1

DWG. NO. 300-WA-FME-XX SHEET 1 REV A

REVISIONS			
REV	DESCRIPTION	DATE	APPROVED
A	FINAL RELEASE PER DMD	3-22-06	[Signature]

SPECIFICATIONS:

IMPEDANCE: 50 OHMS NOMINAL
 FREQUENCY RANGE: DC TO 2.4GHz
 VSWR: DC TO 1GHz AT 1.10:1 MAX.
 1GHz TO 2.4 GHz AT 1.25:1 MAX.
 POWER RATING: 300 WATTS AVG. AT 25°C AMBIENT (UNI-DIRECTIONAL)
 COOLING FIN: ALUMINUM, BLACK ANODIZED
 COVER: ALUMINUM, BLACK ANODIZED
 CONNECTOR: 7/16 DIN FEMALE INPUT, MALE OUTPUT
 OPERATING POSITION: ANY POSITION EXCEPT MOUNTING SURFACE UP
 NOMINAL SIZE: APPROX. 9.17" L X 5.400" W X 4.800" H
 WEIGHT: APPROX. 4.6 LBS



XX = DASH NUMBER (dB VALUE)

DASH NO.	dB ATTEN.	DC - 1GHz ATTENUATOR	1 - 2.4GHz ACCURACY ±dB
-30	30	±0.8 dB	±1.3 dB
-20	20	±0.5 dB	±1.0 dB
-10	10	±0.4 dB	±0.8 dB
-06	6	±0.4 dB	±0.6 dB
-03	3	±0.3 dB	±0.5 dB

NOTE:

FOR VALUES NOT LISTED, REFER TO THE NEXT HIGHER ATTENUATION LEVEL FOR SPECIFICATIONS. FOR ATTENUATION VALUES GREATER THAN THE HIGHEST LISTED ATTENUATION VALUE, REFER TO THE VALUE 1/2 THE DESIRED ATTENUATION LEVEL, THEN DOUBLE THE LISTED SPECIFICATION VALUES, UNLESS OTHERWISE SPECIFIED.

UNLESS OTHERWISE SPECIFIED DIMENSIONS ARE IN INCHES TOLERANCES ARE: FRACTIONS ±1/64 DECIMALS .xx = ±.010 .xxx = ±.005 ANGLES ±30' MILLIMETERS .x = ±.4 .xx = ±.12 DO NOT SCALE DRAWING	APPROVALS	DATE				
	DRN DMD	3-22-06				
THIS DRAWING IS THE PROPERTY OF THE BIRD TECHNOLOGIES GROUP OR BIRD ELECTRONIC CORPORATION. THE DESIGNS AND SPECIFICATIONS DISCLOSED HEREON ARE PROPRIETARY AND SHALL NOT BE REPRODUCED, NOR COPIED, NOR USED AS THE BASIS FOR THE MANUFACTURE OR SALE OF APPARATUS OR DEVICES WITHOUT THEIR EXPRESS WRITTEN CONSENT.	CHK		TITLE ATTENUATOR, CONVECTION COOLED 7/16 FEMALE INPUT, MALE OUTPUT, 300W			
	APP					
	MATERIAL	CODE	FSCM NO. 70998	SCALE 1:1	DWG. NO. 300-WA-FME-XX	REV A
	FINISH	CODE	PROJ./LIB AUTOCAD	COMM CODE AT1	SHEET 1 OF 1	

4

3

2

1