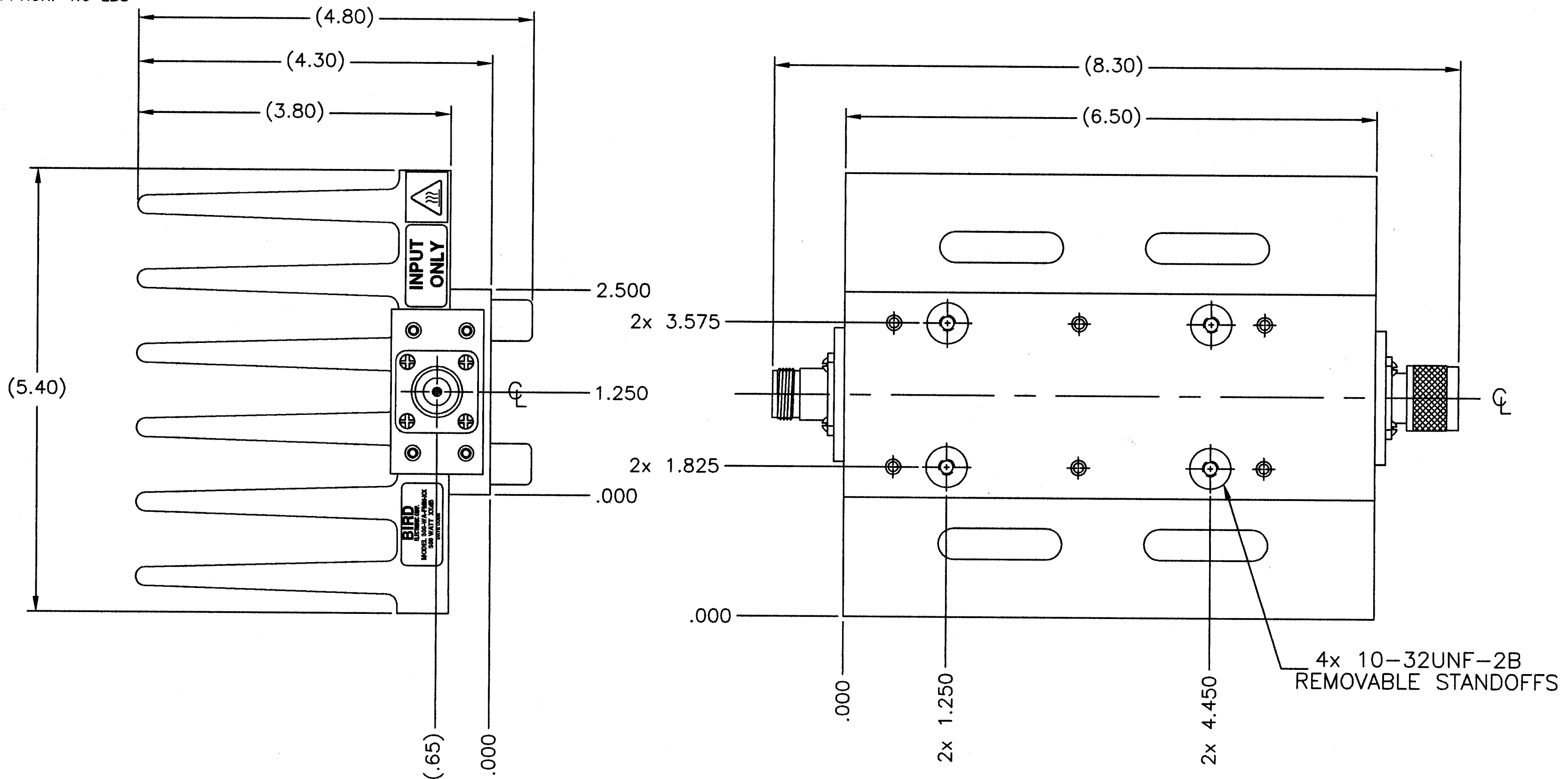


**SPECIFICATIONS:**

IMPEDANCE: 50 OHMS NOMINAL  
 FREQUENCY RANGE: DC TO 2.4GHz  
 VSWR: DC TO 1GHz AT 1.10:1 MAX.  
 1GHz TO 2.4 GHz AT 1.25:1 MAX.  
 POWER RATING: 300 WATTS AVG. AT 25°C AMBIENT  
 COOLING FIN: ALUMINUM, BLACK ANODIZED  
 COVER: ALUMINUM, BLACK ANODIZED  
 CONNECTORS: N-TYPE FEMALE/MALE (FEMALE INPUT)  
 OPERATING POSITION: ANY POSITION EXCEPT MOUNTING SURFACE UP  
 NOMINAL SIZE: APPROX. 8.30" L X 5.40" W X 4.80" H  
 WEIGHT: APPROX. 4.6 LBS

REVISIONS		DWG. NO.	300-WA-FMN-XX	SHEET	REV
ZONE	REV	DESCRIPTION		DATE	APPROVED
A		CONVERT TO BEC FOREMAT		DMR 1-22-03	MBW



XX = DASH NUMBER (dB VALUE)

-30	30	±0.8 dB	±1.3 dB
-20	20	±0.5 dB	±1.0 dB
-10	10	±0.4 dB	±0.8 dB
-06	6	±0.4 dB	±0.6 dB
-03	3	±0.3 dB	±0.5 dB
-01	2	±0.3 dB	±0.5 dB
DASH NO.	dB ATTEN.	DC - 1GHz ATTENUATOR ACCURACY ±dB	1 - 2.4GHz ATTENUATOR ACCURACY ±dB

**NOTE:**  
 FOR VALUES NOT LISTED, REFER TO THE NEXT HIGHER ATTENUATION LEVEL FOR SPECIFICATIONS. FOR ATTENUATION VALUES GREATER THAN THE HIGHEST LISTED ATTENUATION VALUE, REFER TO THE VALUE 1/2 THE DESIRED ATTENUATION LEVEL, THEN DOUBLE THE LISTED SPECIFICATION VALUES, UNLESS OTHERWISE SPECIFIED.

DIMENSIONS HEREON ARE FOR CUSTOMER CONVENIENCE AND REFERENCE ONLY. TOLERANCE TO BE APPLIED ONLY WHERE INDIVIDUALLY STATED ON THE RESPECTIVE DIMENSION. -DO NOT SCALE DRAWING-

UNLESS OTHERWISE SPECIFIED DIMENSIONS ARE IN INCHES TOLERANCES ARE:  
 FRACTIONS ±1/64  
 DECIMALS .010  
 ANGLES ±30'  
 XXX±.005

MILLIMETERS  
 X= ±.4  
 XX= ±.12

THIS DRAWING IS THE PROPERTY OF THE BIRD ELECTRONIC CORPORATION. THE DESIGNS AND SPECIFICATIONS DISCLOSED HEREON ARE PROPRIETARY AND SHALL NOT BE REPRODUCED, NOR COPIED, NOR USED AS THE BASIS FOR THE MANUFACTURE OR SALE OF APPARATUS OR DEVICES WITHOUT THEIR EXPRESS WRITTEN CONSENT.



MATERIAL		APPROVALS		DATE		TITLE	
		DRAWN	D.M.RINK	1-22-03		ATTENUATOR, CONVECTION COOLED N-TYPE FEMALE/MALE, 300W	
		CHECKED				SIZE	FSCM NO.
		APPROVED	MBW	2-7-03		C	70998
		AUTOCAD		SCALE	1:1	COMM CODE	AT1
				SHEET		1 OF 1	