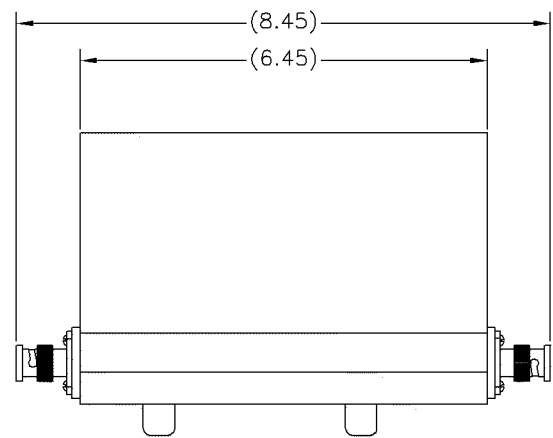
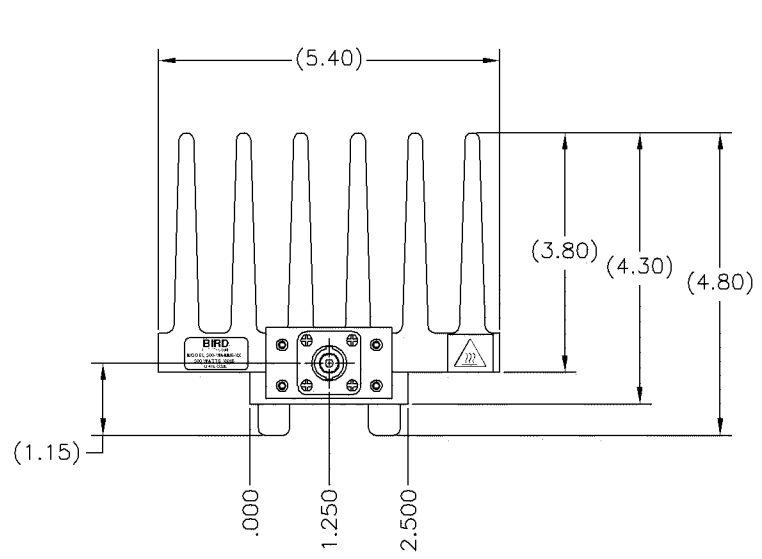
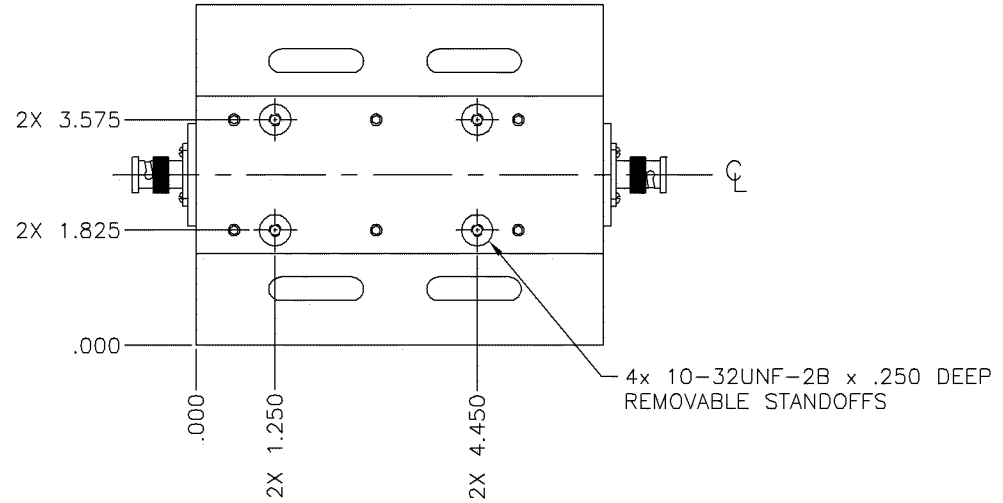


REVISIONS			
REV.	DESCRIPTION	DATE	APPROVED
A	CONVERT TO BTC FORMAT	8-20-08	



SPECIFICATIONS:
 IMPEDANCE: 50 OHMS NOMINAL
 FREQUENCY RANGE: DC TO 2.4GHz
 VSWR: DC TO 1GHz AT 1.10:1 MAX.
 1GHz TO 2.4 GHz AT 1.25:1 MAX.
 POWER RATING: 300 WATTS AVG. (UNI-DIRECTIONAL) AT 25°C AMBIENT
 COOLING FIN: ALUMINUM, BLACK ANODIZED
 COVER: ALUMINUM, BLACK ANODIZED
 CONNECTORS: BNC MALE, TRI-ALLOY PLATED
 OPERATING POSITION: ANY POSITION EXCEPT MOUNTING SURFACE UP
 NOMINAL SIZE: APPROX. 8.45" L X 5.40" W X 4.80" H
 WEIGHT: APPROX. 4.6 LBS



XX = DASH NUMBER (dB VALUE)

-40	40	±1.0 dB	±2.0 dB
-30	30	±0.8 dB	±1.3 dB
-20	20	±0.5 dB	±1.0 dB
-10	10	±0.4 dB	±0.8 dB
-06	6	±0.4 dB	±0.6 dB
-03	3	±0.3 dB	±0.5 dB
DASH NO.	dB ATTEN.	DC - 1GHz ATTENUATOR	1 - 2.4GHz ACCURACY ±dB

NOTE:
 FOR VALUES NOT LISTED, REFER TO THE NEXT HIGHER ATTENUATION LEVEL FOR SPECIFICATIONS. FOR ATTENUATION VALUES GREATER THAN THE HIGHEST LISTED ATTENUATION VALUE, REFER TO THE VALUE 1/2 THE DESIRED ATTENUATION LEVEL, THEN DOUBLE THE LISTED SPECIFICATION VALUES, UNLESS OTHERWISE SPECIFIED.

REV.	DESCRIPTION	DATE	APPROVED
D	702988	1/1	300-WA-MMB-XX A

BIRD SPECIALIZED GROUP
 MILITARY OPERATIONS

ATTENUATOR, CONNECTION COOLED,
 BNC MALE/MALE, 300W

FIG. NO. 300-WA-MMB-XX A
 REV. 1/1
 DATE 8-20-08
 DRAWN BY AT1
 1 OF 1