

4

3

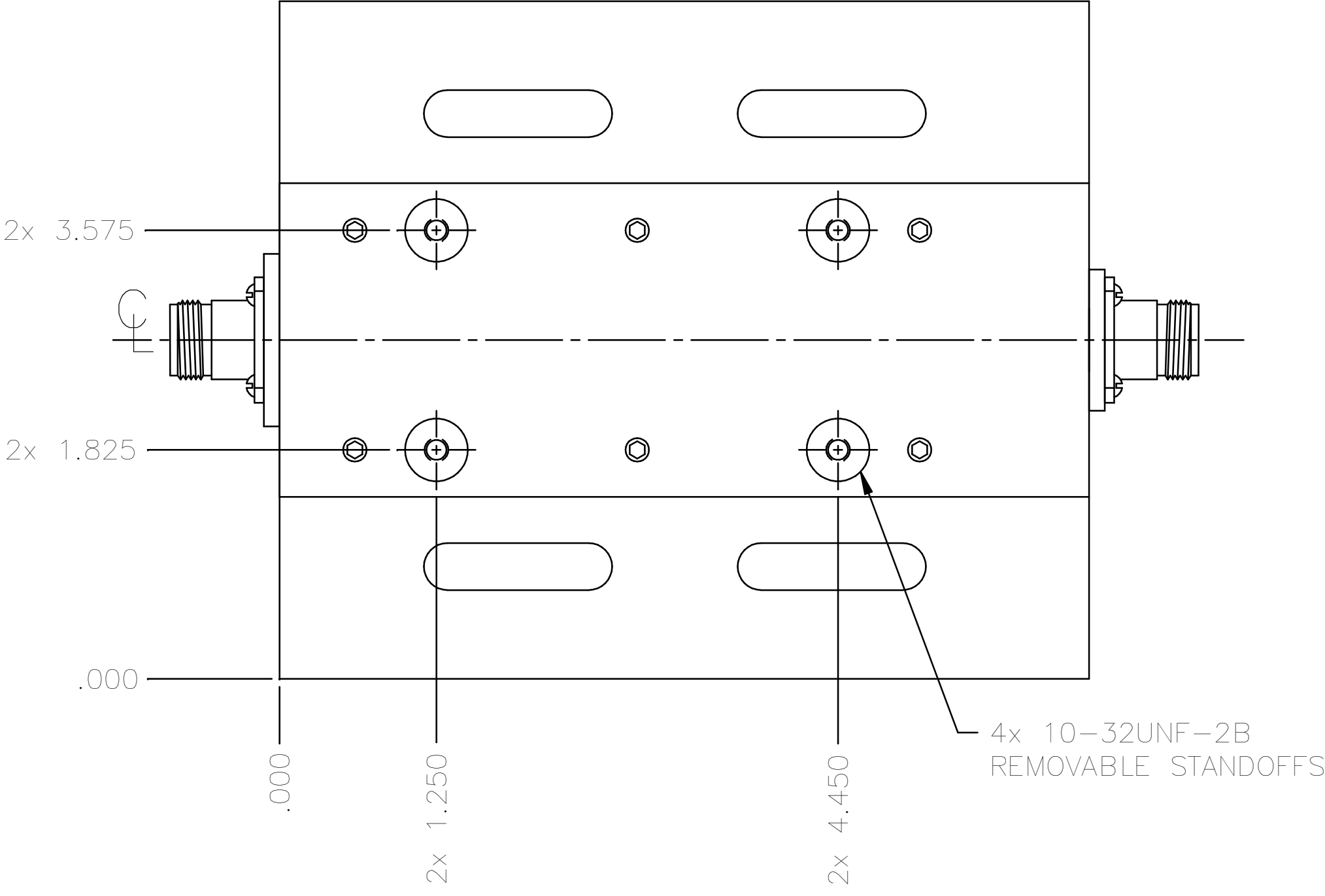
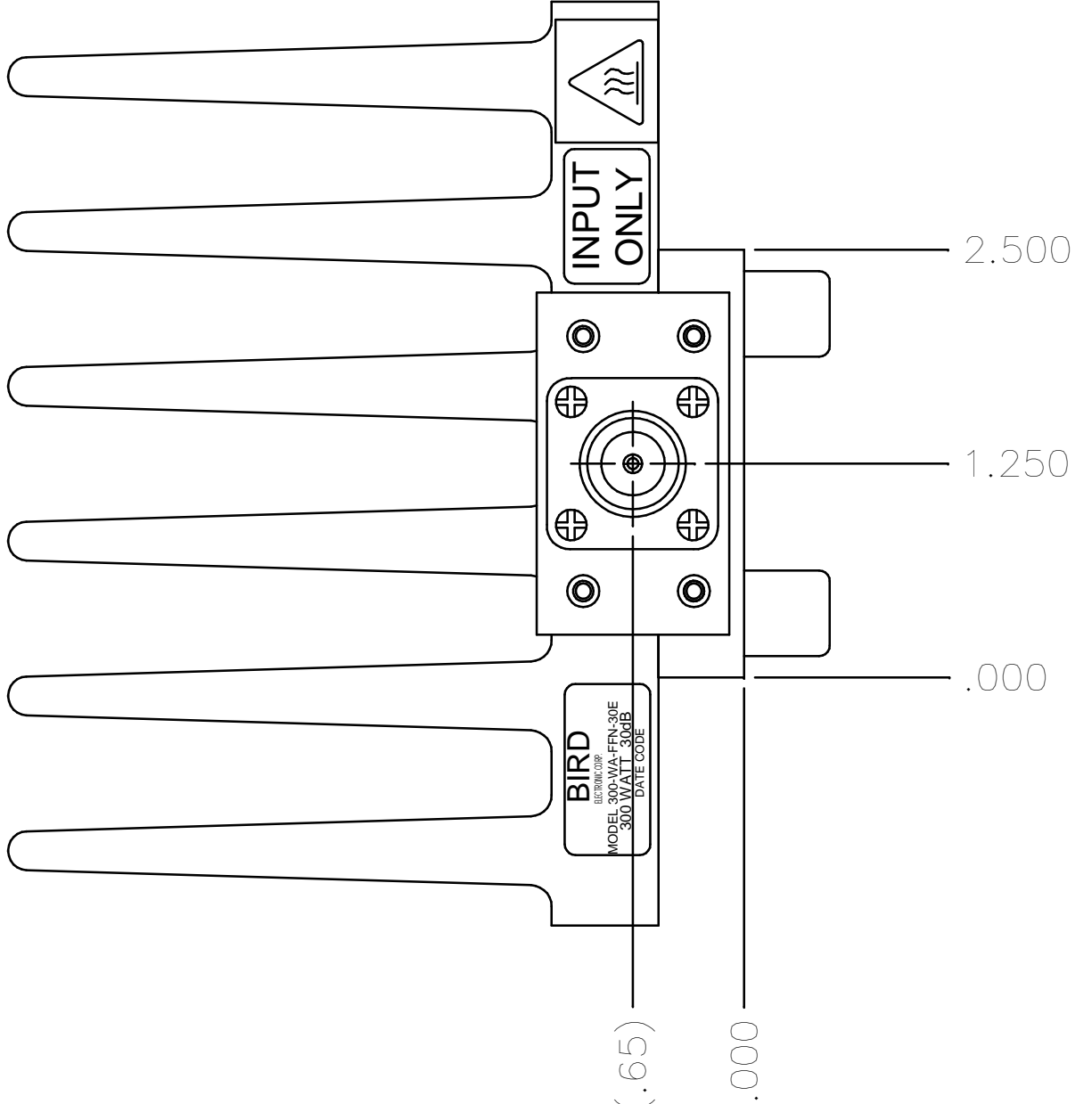
2

1

SPECIFICATIONS:

IMPEDANCE: 50 OHMS NOMINAL
 FREQUENCY RANGE: DC TO 2.5GHz
 ATTENUATION: DC TO 1 GHz: 30dB ±1.5dB
 1 GHz TO 2.5 GHz: 30dB ±2.5dB
 VSWR: DC TO 1GHz AT 1.10:1 MAX.
 1GHz TO 2.5 GHz AT 1.25:1 MAX.
 POWER RATING: 300 WATTS AVG. AT 25°C AMBIENT
 COOLING FIN: ALUMINUM, BLACK ANODIZED
 COVER: ALUMINUM, BLACK ANODIZED
 CONNECTOR: N-TYPE FEMALE, TRI-ALLOY PLATED
 OPERATING POSITION: ANY POSITION EXCEPT MOUNTING SURFACE UP
 NOMINAL SIZE: APPROX. 8.20" L X 5.40" W X 4.80" H
 WEIGHT: APPROX. 5 LBS

REVISIONS		DWG. NO.	300-WA-FFN-30E	SHEET	1	REV	A
ZONE	REV	DESCRIPTION		DATE	APPROVED		
	A						



DIMENSIONS HEREON ARE FOR CUSTOMER CONVENIENCE AND REFERENCE ONLY. TOLERANCE TO BE APPLIED ONLY WHERE INDIVIDUALLY STATED ON THE RESPECTIVE DIMENSION. -DO NOT SCALE DRAWING-

UNLESS OTHERWISE SPECIFIED DIMENSIONS ARE IN INCHES TOLERANCES ARE:		MILLIMETERS .X= ±.4 .XX= ±.12		THIS DRAWING IS THE PROPERTY OF THE BIRD ELECTRONIC CORPORATION. THE DESIGNS AND SPECIFICATIONS DISCLOSED HEREON ARE PROPRIETARY AND SHALL NOT BE REPRODUCED, NOR COPIED, NOR USED AS THE BASIS FOR THE MANUFACTURE OR SALE OF APPARATUS OR DEVICES WITHOUT THEIR EXPRESS WRITTEN CONSENT.				 Cleveland (Solon) Ohio USA	
FRACTIONS ± 1/64		DECIMALS .XX= ±.010 .XXX= ±.005		ANGLES ± 30'		DO NOT SCALE DRAWING		APPROVALS DRAWN: J. MELTZER CHECKED: APPROVED: DATE: 5-20-21 TITLE: ATTENUATOR, CONVECTION COOLED N-TYPE FEMALE, 30dB, 300W, 2.5GHz	
MATERIAL		FINISH		SCALE: 1:1		FSCM NO. 70998		DWG. NO. 300-WA-FFN-30E SHEET 1 OF 1	

4

3

2

1