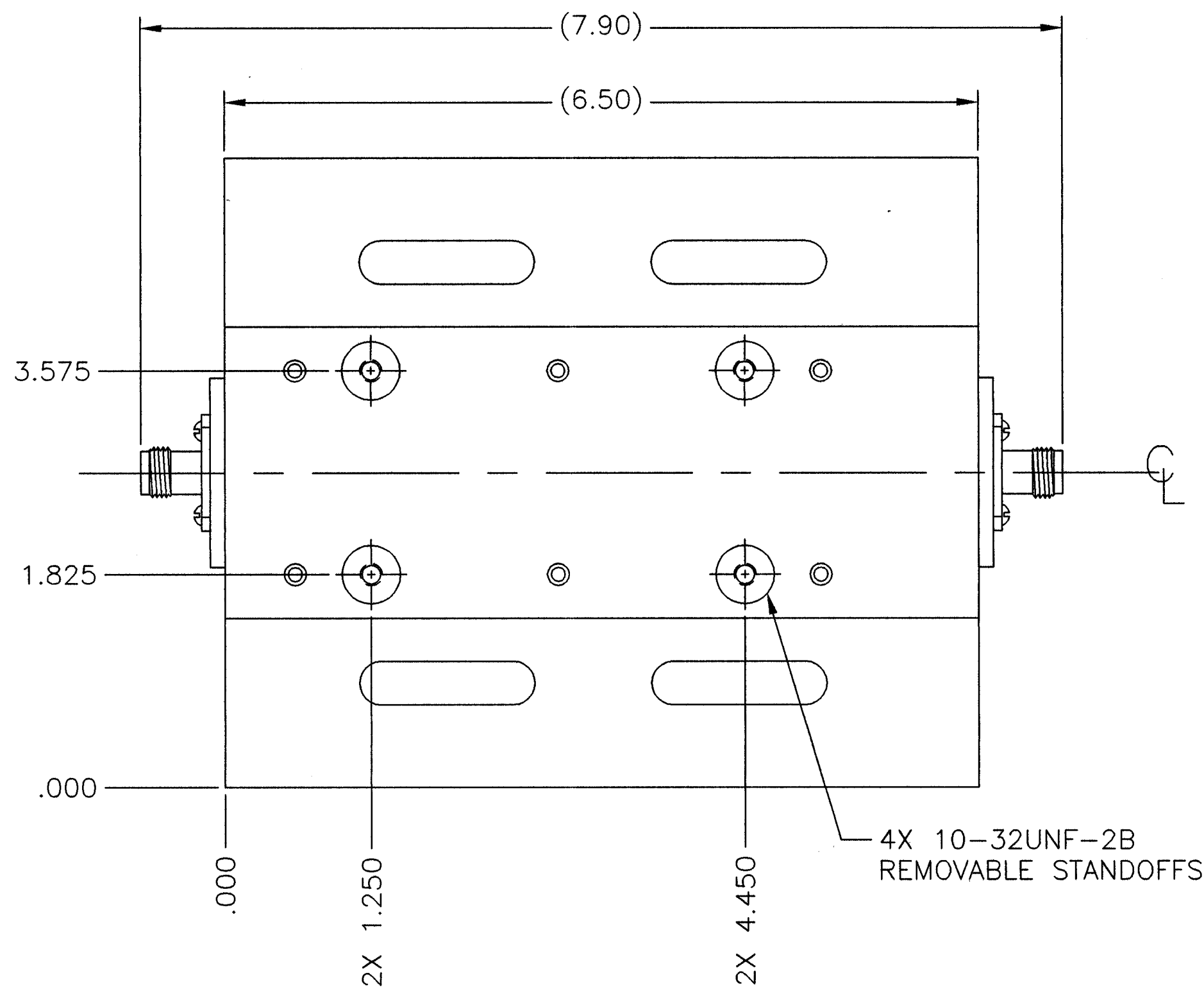
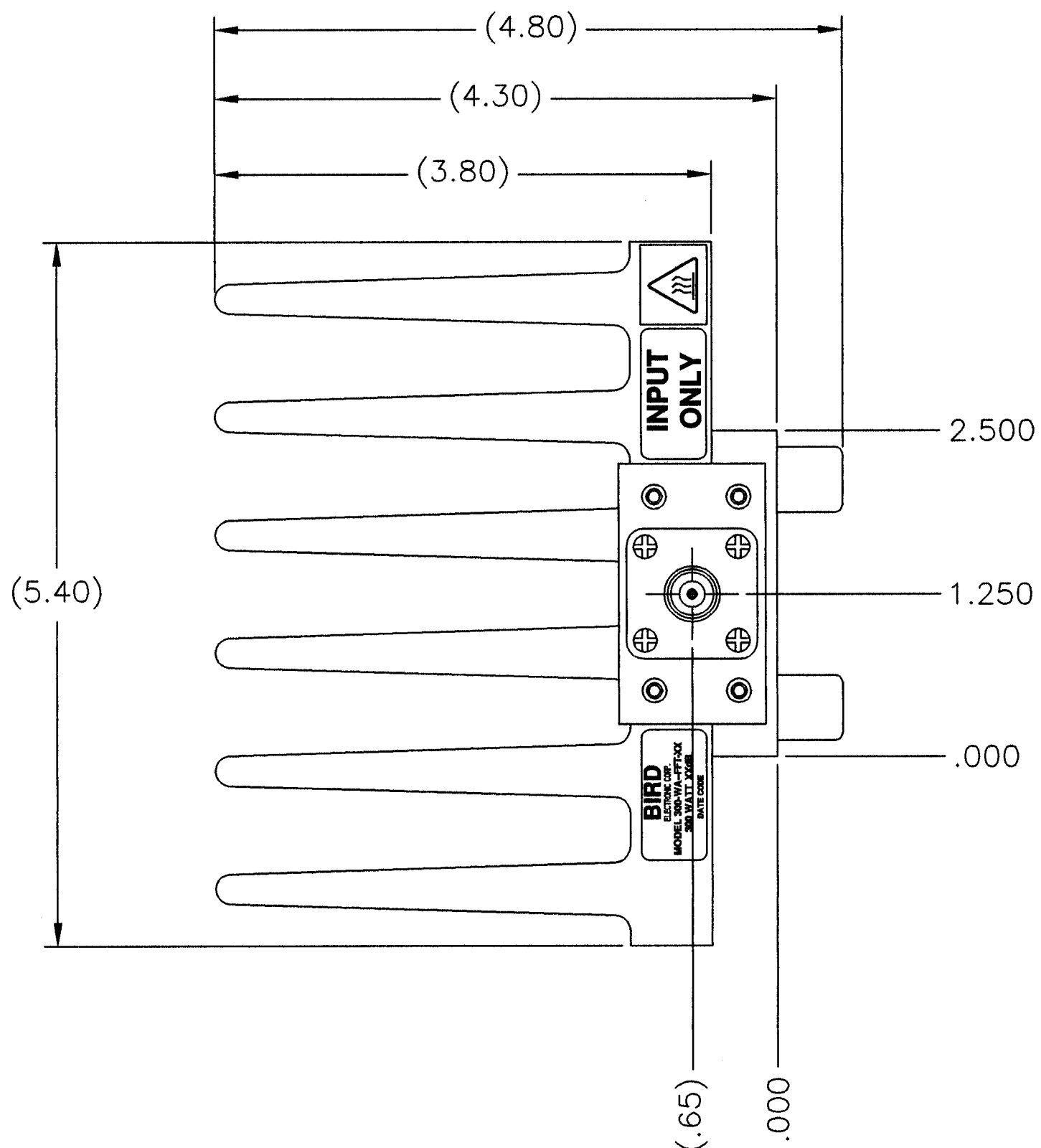


**SPECIFICATIONS:**

IMPEDANCE: 50 OHMS NOMINAL  
 FREQUENCY RANGE: DC TO 2.4GHz  
 VSWR: DC TO 1GHz AT 1.10:1 MAX.  
 1GHz TO 2.4 GHz AT 1.25:1 MAX.  
 POWER RATING: 300 WATTS AVG. AT 25°C AMBIENT  
 COOLING FIN: ALUMINUM, BLACK ANODIZED  
 COVER: ALUMINUM, BLACK ANODIZED  
 CONNECTORS: TNC FEMALE, TRI-ALLOY PLATED  
 OPERATING POSITION: ANY POSITION EXCEPT MOUNTING SURFACE UP  
 NOMINAL SIZE: APPROX. 7.90" L X 5.40" W X 4.30" H  
 WEIGHT: APPROX. 4.6 LBS

REVISIONS		DWG. NO.	300-WA-FFT-XX	SHEET	REV
ZONE	REV	DESCRIPTION	DATE	APPROVED	
	A	NEW DRAWING RELEASE PER DMD	DMR 11-3-04	<i>mev</i>	



XX = DASH NUMBER (dB VALUE)

-30	30	±0.8 dB	±1.3 dB
-20	20	±0.5 dB	±1.0 dB
-10	10	±0.4 dB	±0.8 dB
-06	6	±0.4 dB	±0.6 dB
-03	3	±0.3 dB	±0.5 dB
-01	1	±0.3 dB	±0.5 dB
DASH NO.	dB ATTEN.	DC - 1GHz ATTENUATOR	1 - 2.4GHz ACCURACY ±dB

**NOTE:**  
 FOR VALUES NOT LISTED, REFER TO THE NEXT HIGHER ATTENUATION LEVEL FOR SPECIFICATIONS. FOR ATTENUATION VALUES GREATER THAN THE HIGHEST LISTED ATTENUATION VALUE, REFER TO THE VALUE 1/2 THE DESIRED ATTENUATION LEVEL, THEN DOUBLE THE LISTED SPECIFICATION VALUES, UNLESS OTHERWISE SPECIFIED.

DIMENSIONS HEREON ARE FOR CUSTOMER CONVENIENCE AND REFERENCE ONLY. TOLERANCE TO BE APPLIED ONLY WHERE INDIVIDUALLY STATED ON THE RESPECTIVE DIMENSION. -DO NOT SCALE DRAWING-

UNLESS OTHERWISE SPECIFIED DIMENSIONS ARE IN INCHES TOLERANCES ARE:		MILLIMETERS .X = ±.4 .XX = ±.12		THIS DRAWING IS THE PROPERTY OF THE BIRD ELECTRONIC CORPORATION. THE DESIGNS AND SPECIFICATIONS DISCLOSED HEREON ARE PROPRIETARY AND SHALL NOT BE REPRODUCED, NOR COPIED, NOR USED AS THE BASIS FOR THE MANUFACTURE OR SALE OF APPARATUS OR DEVICES WITHOUT THEIR EXPRESS WRITTEN CONSENT.	
FRACTIONS ±1/64		DECIMALS .XX = ±.010 .XXX = ±.005		ANGLES ±30°	
DO NOT SCALE DRAWING					
MATERIAL	APPROVALS	DATE	TITLE		
	DMD	11-3-04	ATTENUATOR, CONVECTION COOLED TNC FEMALE, 300W		
CHECKED	<i>W/ark</i>	11-3-04	SIZE	FSCM NO.	DWG. NO.
APPROVED	<i>W/ark</i>	11-3-04	C	70998	300-WA-FFT-XX
FINISH	AUTOCAD		SCALE	COMM CODE	SHEET
			1:1	AT1	1 OF 1

