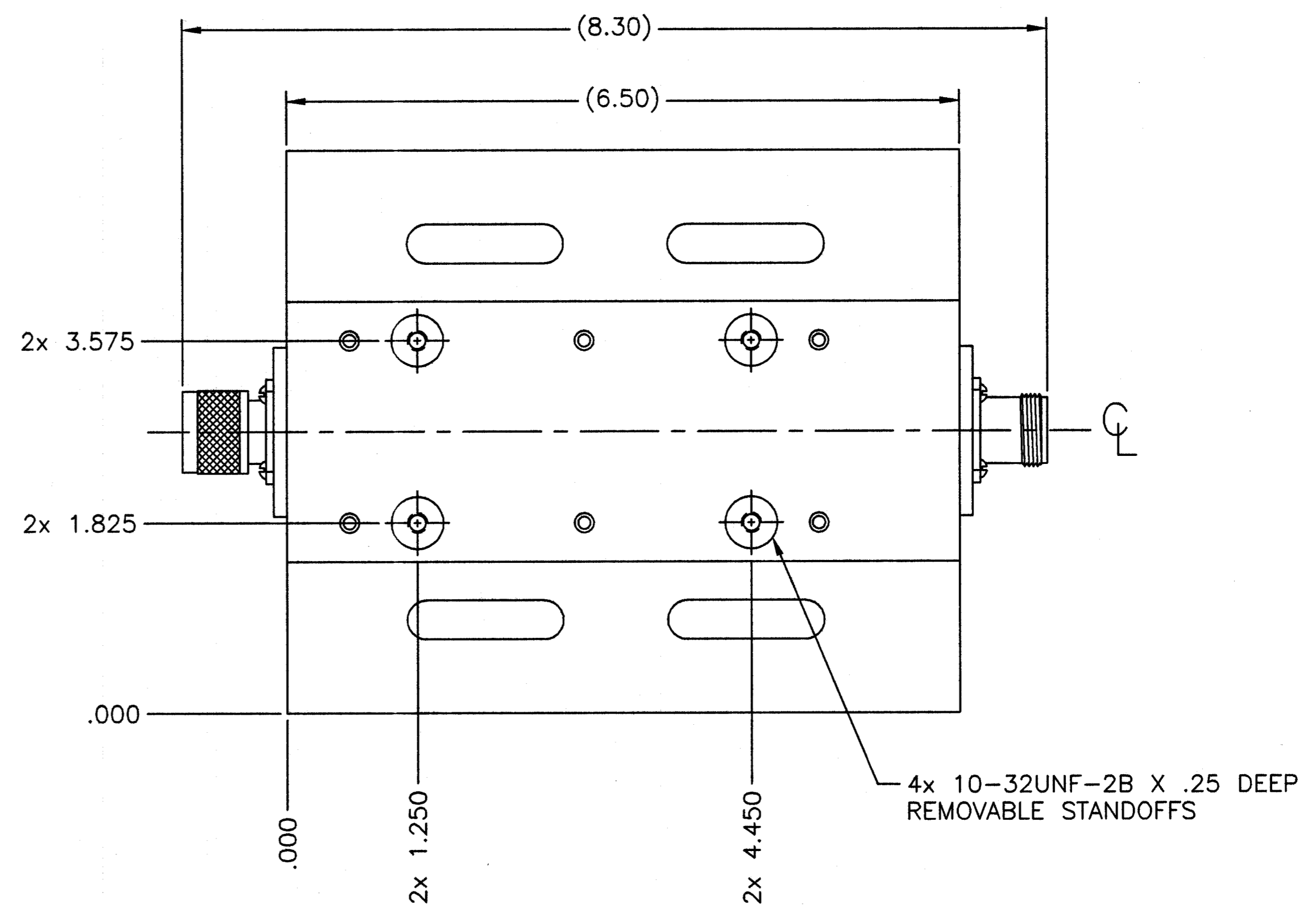
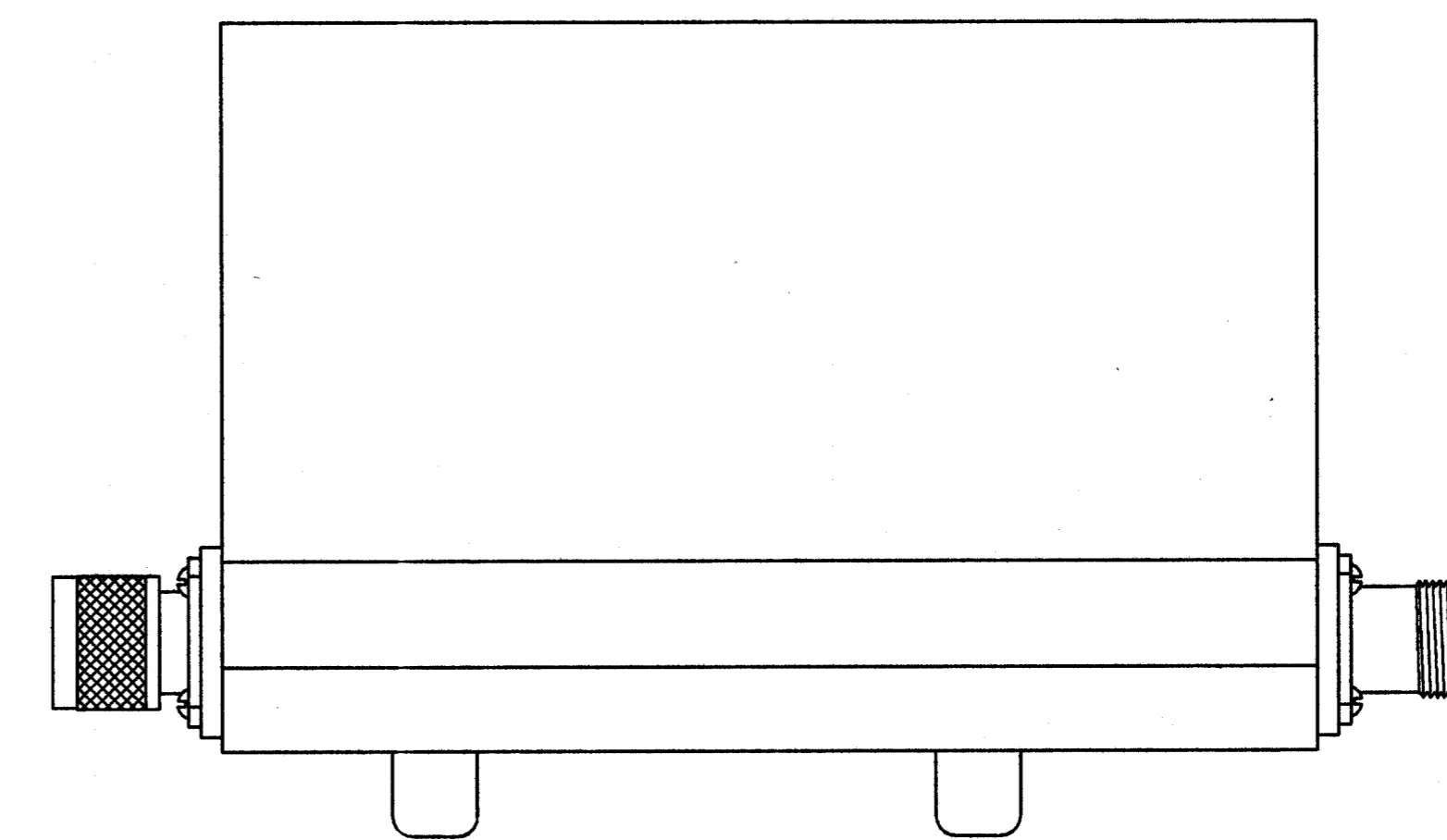
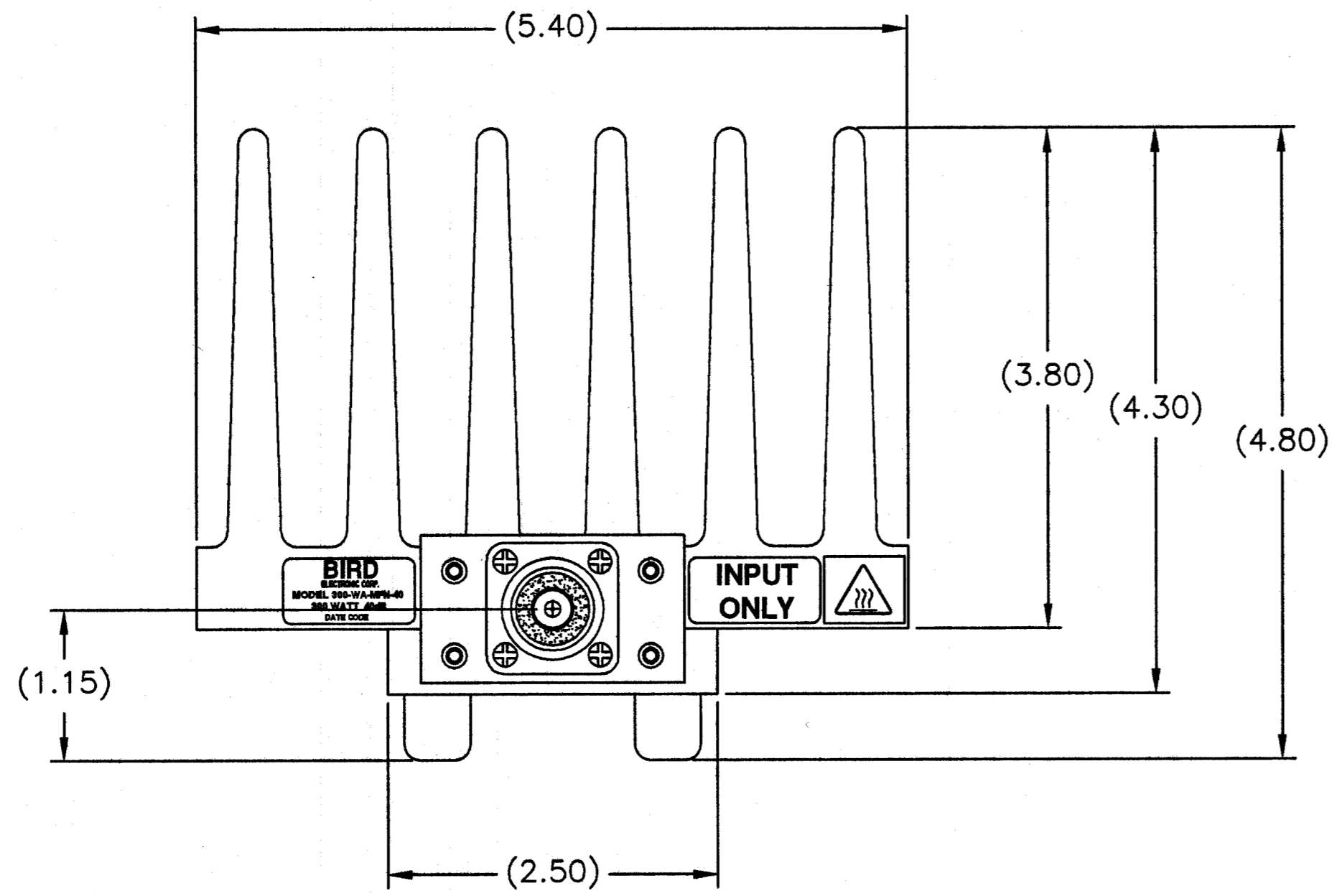


8 7 6 5 4 3 2 1

REVISIONS				
ZONE	REV	DESCRIPTION	DATE	APPROVED
	A	CONVERT TO BEC FORMAT	DMR 5-28-03	<i>MDR</i>

SPECIFICATIONS:
 IMPEDANCE: 50 OHMS NOMINAL
 ATTENUATION: 40dB ±1.5dB
 FREQUENCY RANGE: DC TO 2.4GHz
 VSWR: DC TO 1GHz AT 1.10:1 MAX.
 1GHz TO 2.4 GHz AT 1.25:1 MAX.
 POWER RATING: 300 WATTS AVG. AT 25°C AMBIENT
 COOLING FIN: ALUMINUM, BLACK ANODIZED
 COVER: ALUMINUM, BLACK ANODIZED
 CONNECTORS: N-TYPE MALE/FEMALE, TRI-ALLOY PLATED
 OPERATING POSITION: ANY POSITION EXCEPT MOUNTING SURFACE UP
 NOMINAL SIZE: APPROX. 8.30" L X 5.400" W X 4.800" H
 WEIGHT: APPROX. 5 LBS



D
C
B
A

D
C
B
A

DIMENSIONS HEREON ARE FOR CUSTOMER CONVENIENCE AND REFERENCE ONLY. TOLERANCE TO BE APPLIED ONLY WHERE INDIVIDUALLY STATED ON THE RESPECTIVE DIMENSION. -DO NOT SCALE DRAWING-

UNLESS OTHERWISE SPECIFIED DIMENSIONS ARE IN INCHES FRACTIONS DECIMALS ANGLES 1/8" .001" ±.010 ±30'	MILLIMETERS X= ±.4 XX= ±.12	THIS DRAWING IS THE PROPERTY OF THE BIRD ELECTRONIC CORPORATION. THE DESIGNS AND SPECIFICATIONS DISCLOSED HEREON ARE PROPRIETARY AND SHALL NOT BE REPRODUCED, NOR COPIED, NOR USED AS THE BASIS FOR THE MANUFACTURE OR SALE OF APPARATUS OR DEVICES WITHOUT THEIR EXPRESS WRITTEN CONSENT.	BIRD Electronic Corporation Cleveland (Solon) Ohio USA
MATERIAL	APPROVALS	DATE	TITLE
	DRAWN <i>D.M.RINK</i>	5-28-03	ATTENUATOR, CONVECTION COOLED N-TYPE MALE/FEMALE, 40dB, 300W
CHECKED	APPROVED <i>MDR</i>	SIZE FSCM NO.	DWG. NO.
FINISH		D 70998	300-WA-MFN-40
		SCALE 1:1	COM CODE AT1 SHEET 1 OF 1

8 7 6 5 4 3 2 1