

4

3

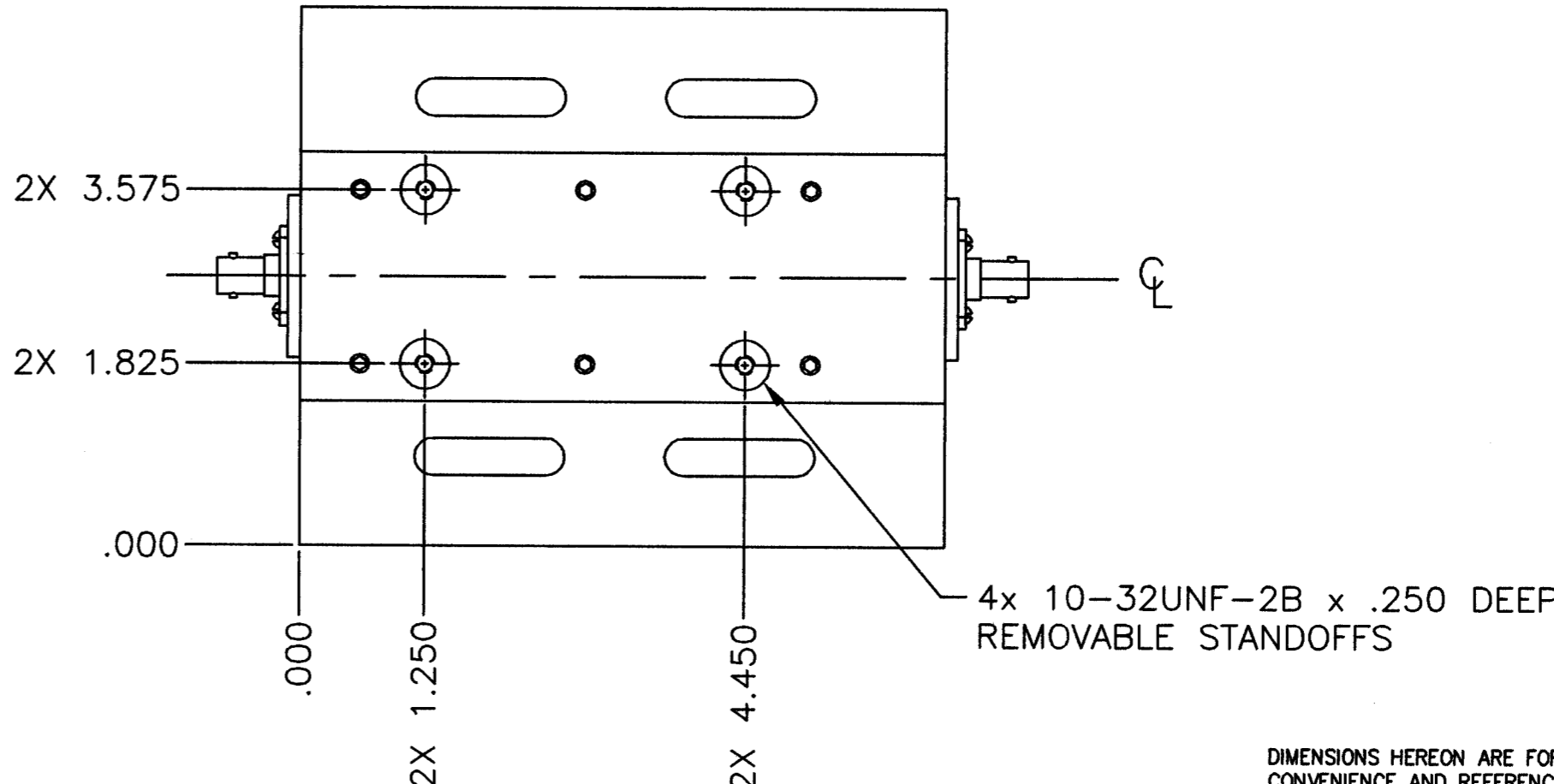
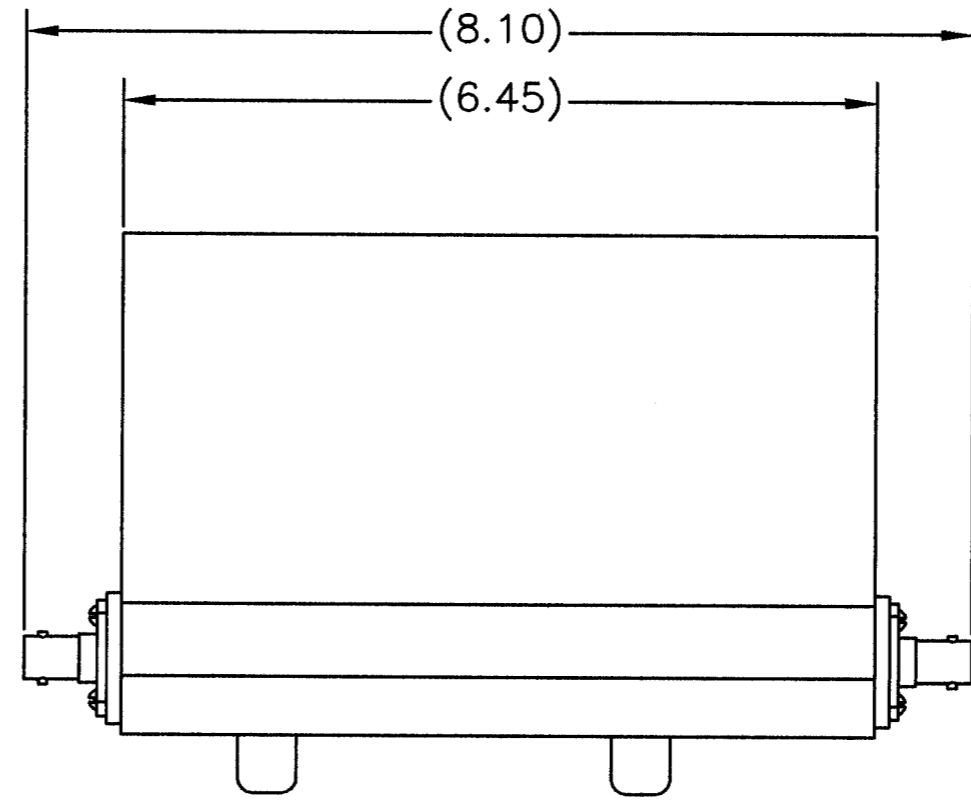
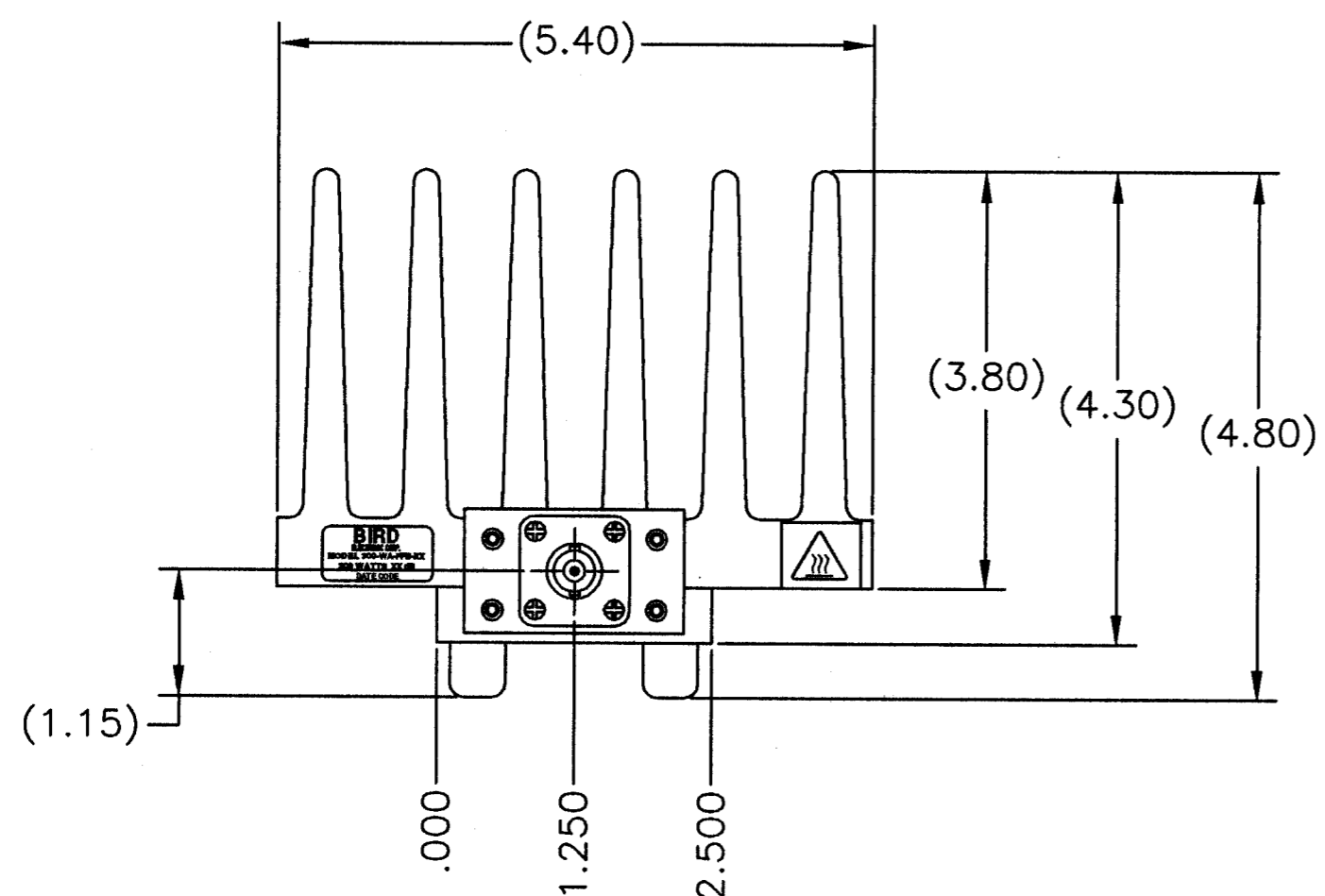
2

1

NOTES:

- ☑ 1. PART MUST BE BURR FREE.
- ☑ 2. CHAMFER 1st THREAD.
- ☑ 3. 63 MICROINCH UNLESS OTHERWISE SPECIFIED.
- ☐ 4. PER BPS _____
- ☑ 5. .005 RADIUS ON ALL INSIDE & OUTSIDE CORNERS UNLESS OTHERWISE SPECIFIED.

REVISIONS		DWG. NO.	300-WA-FFB-XX	SHEET	REV
ZONE	REV	DESCRIPTION	DATE	APPROVED	
	A	NEW DRAWING RELEASE PER DMD	10-5-03	MRE	



SPECIFICATIONS:

IMPEDANCE: 50 OHMS NOMINAL
 FREQUENCY RANGE: DC TO 2.4GHz
 VSWR: DC TO 1GHz AT 1.10:1 MAX.
 1GHz TO 2.4 GHz AT 1.25:1 MAX.
 POWER RATING: 300 WATTS AVG. (UNI-DIRECTIONAL) AT 25°C AMBIENT
 COOLING FIN: ALUMINUM, BLACK ANODIZED
 COVER: ALUMINUM, BLACK ANODIZED
 CONNECTORS: BNC FEMALE, TRI-ALLOY PLATED
 OPERATING POSITION: ANY POSITION EXCEPT MOUNTING SURFACE UP
 NOMINAL SIZE: APPROX. 8.10" L X 5.40" W X 4.80" H
 WEIGHT: APPROX. 4.6 LBS

XX = DASH NUMBER (dB VALUE)

-40	40	±1.0 dB	±2.0 dB
-30	30	±0.8 dB	±1.3 dB
-20	20	±0.5 dB	±1.0 dB
-10	10	±0.4 dB	±0.8 dB
-06	6	±0.4 dB	±0.6 dB
-03	3	±0.3 dB	±0.5 dB
DASH NO.	dB ATTEN.	DC - 1GHz ATTENUATOR	1 - 2.5GHz ACCURACY ± dB

NOTE:
 FOR VALUES NOT LISTED, REFER TO THE NEXT HIGHER ATTENUATION LEVEL FOR SPECIFICATIONS.
 FOR ATTENUATION VALUES GREATER THAN THE HIGHEST LISTED ATTENUATION VALUE, REFER TO THE VALUE 1/2 THE DESIRED ATTENUATION LEVEL, THEN DOUBLE THE LISTED SPECIFICATION VALUES, UNLESS OTHERWISE SPECIFIED.

DIMENSIONS HEREON ARE FOR CUSTOMER CONVENIENCE AND REFERENCE ONLY. TOLERANCE TO BE APPLIED ONLY WHERE INDIVIDUALLY STATED ON THE RESPECTIVE DIMENSION. -DO NOT SCALE DRAWING-

UNLESS OTHERWISE SPECIFIED DIMENSIONS ARE IN INCHES TOLERANCES ARE:		MILLIMETERS .X = ±.4 .XX = ±.12		THIS DRAWING IS THE PROPERTY OF THE BIRD ELECTRONIC CORPORATION. THE DESIGNS AND SPECIFICATIONS DISCLOSED HEREON ARE PROPRIETARY AND SHALL NOT BE REPRODUCED, NOR COPIED, NOR USED AS THE BASIS FOR THE MANUFACTURE OR SALE OF APPARATUS OR DEVICES WITHOUT THEIR EXPRESS WRITTEN CONSENT.			
FRACTIONS ± 1/64	DECIMALS XX = ±.010 XXX = ±.005	ANGLES ± 30'	DO NOT SCALE DRAWING		APPROVALS		DATE
MATERIAL				DRAWN		DATE	
FINISH				CHECKED		DATE	
				APPROVED		DATE	
				MAREV		11-6-03	
				AUTOCAD			
TITLE		ATTENUATOR, CONVECTION COOLED BNC FEMALE, 300W		SIZE		FSCM NO.	
				C		70998	
SCALE		1:1		COMM CODE		AT1	
SHEET		1 OF 1		DWG. NO.		300-WA-FFB-XX	
				REV		A	

4

3

2

1