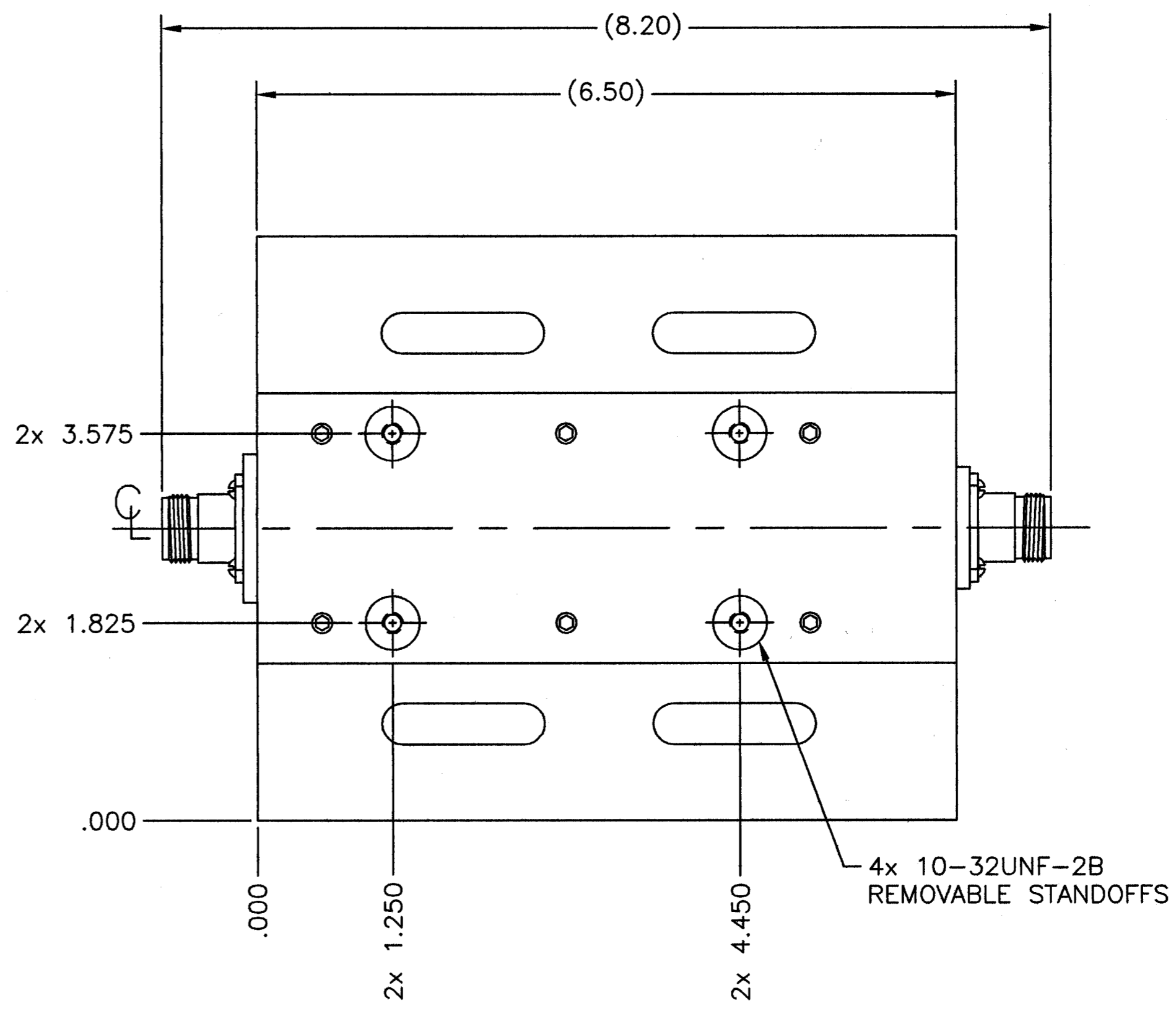
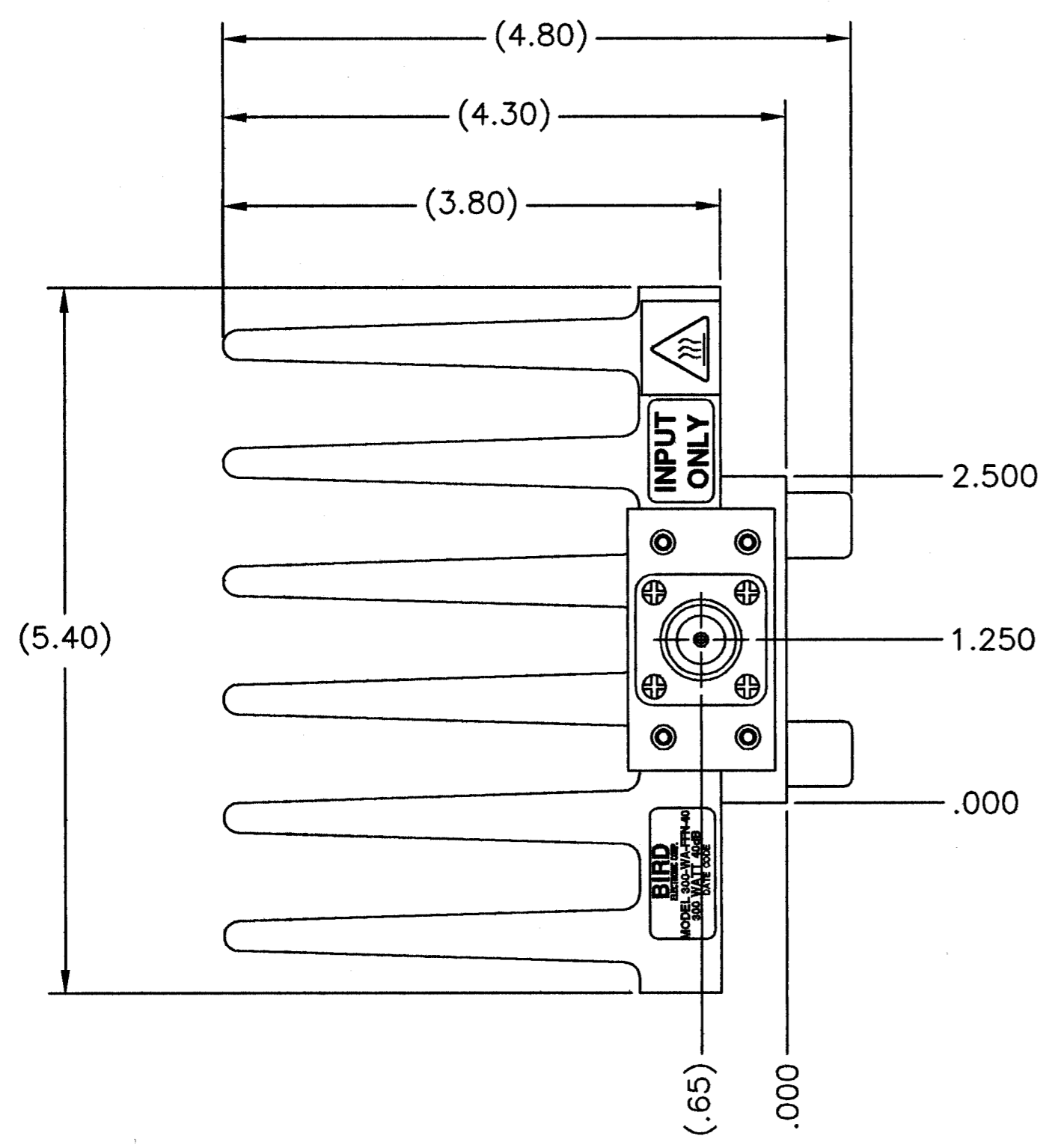


**SPECIFICATIONS:**

IMPEDANCE: 50 OHMS NOMINAL  
 ATTENUATION: 40dB ±1.5dB  
 FREQUENCY RANGE: DC TO 2.4GHz  
 VSWR: DC TO 1GHz AT 1.10:1 MAX.  
 1GHz TO 2.4 GHz AT 1.25:1 MAX.  
 POWER RATING: 300 WATTS AVG. AT 25°C AMBIENT  
 COOLING FIN: ALUMINUM, BLACK ANODIZED  
 COVER: ALUMINUM, BLACK ANODIZED  
 CONNECTOR: N-TYPE FEMALE, TRI-ALLOY PLATED  
 OPERATING POSITION: ANY POSITION EXCEPT MOUNTING SURFACE UP  
 NOMINAL SIZE: APPROX. 8.20" L X 5.40" W X 4.80" H  
 WEIGHT: APPROX. 5 LBS

REVISIONS		DWG. NO.	SHEET	REV
ZONE	REV	DESCRIPTION	DATE	APPROVED
	A	CONVERT TO BEC FORMAT	DMR 1-22-03	<i>MAR</i>



DIMENSIONS HEREON ARE FOR CUSTOMER CONVENIENCE AND REFERENCE ONLY. TOLERANCE TO BE APPLIED ONLY WHERE INDIVIDUALLY STATED ON THE RESPECTIVE DIMENSION. -DO NOT SCALE DRAWING-

UNLESS OTHERWISE SPECIFIED DIMENSIONS ARE IN INCHES TOLERANCES ARE:		MILLIMETERS .X = ±.4 .XX = ±.12		THIS DRAWING IS THE PROPERTY OF THE BIRD ELECTRONIC CORPORATION. THE DESIGNS AND SPECIFICATIONS DISCLOSED HEREON ARE PROPRIETARY AND SHALL NOT BE REPRODUCED, NOR COPIED, NOR USED AS THE BASIS FOR THE MANUFACTURE OR SALE OF APPARATUS OR DEVICES WITHOUT THEIR EXPRESS WRITTEN CONSENT.			
FRACTIONS	DECIMALS	ANGLES	APPROVALS		DATE	TITLE	
± 1/64	.XX = ±.010 .XXX = ±.005	± 30°	DRAWN D.M.RINK		1-22-03	ATTENUATOR, CONVECTION COOLED N-TYPE FEMALE, 40dB, 300W	
DO NOT SCALE DRAWING			CHECKED		APPROVED <i>MAR</i>	DATE 2-7-03	SIZE C
FINISH			APPROVED		DATE	FSCM NO. 70998	DWG. NO. 300-WA-FFN-40
			AUTOCAD		SCALE 1:1	COMM CODE LD1	SHEET 1 OF 1