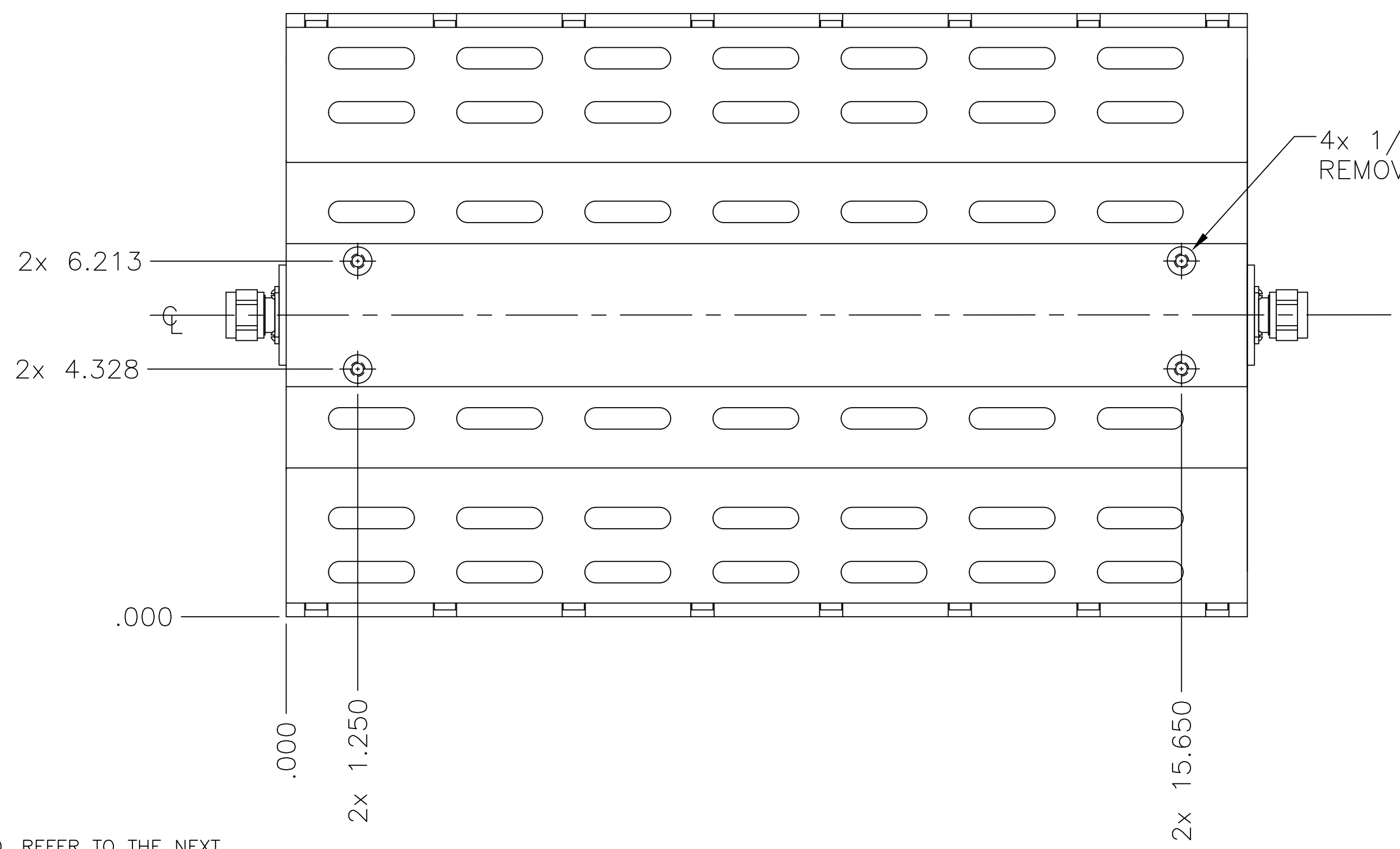
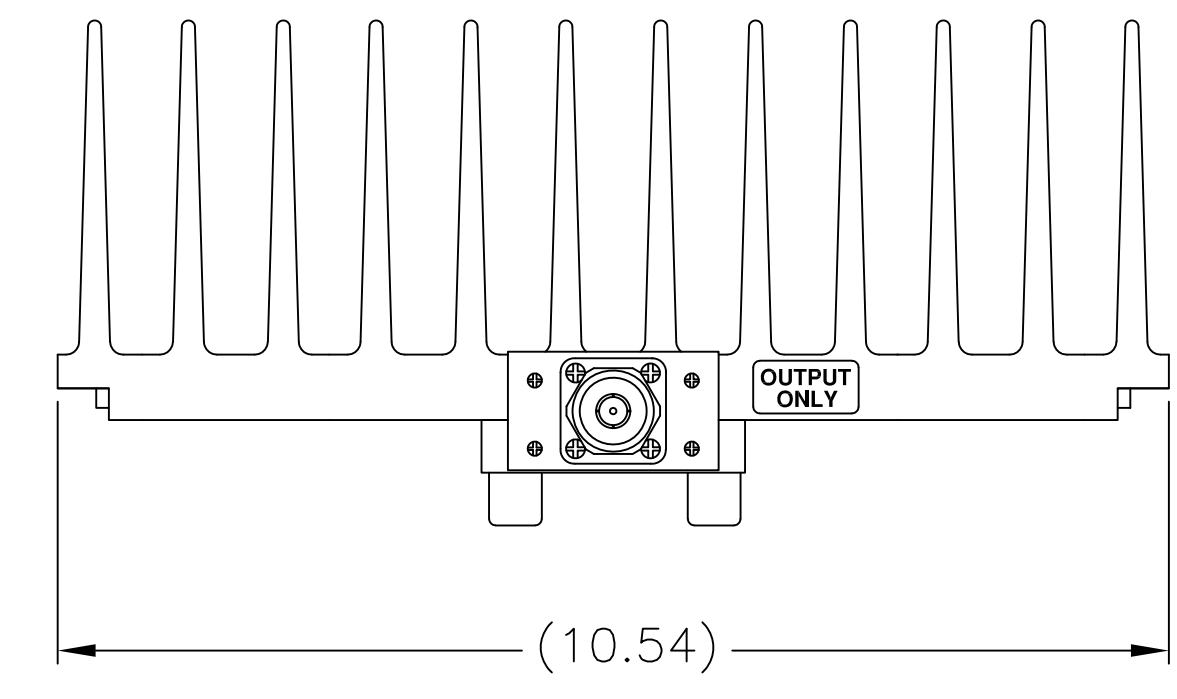
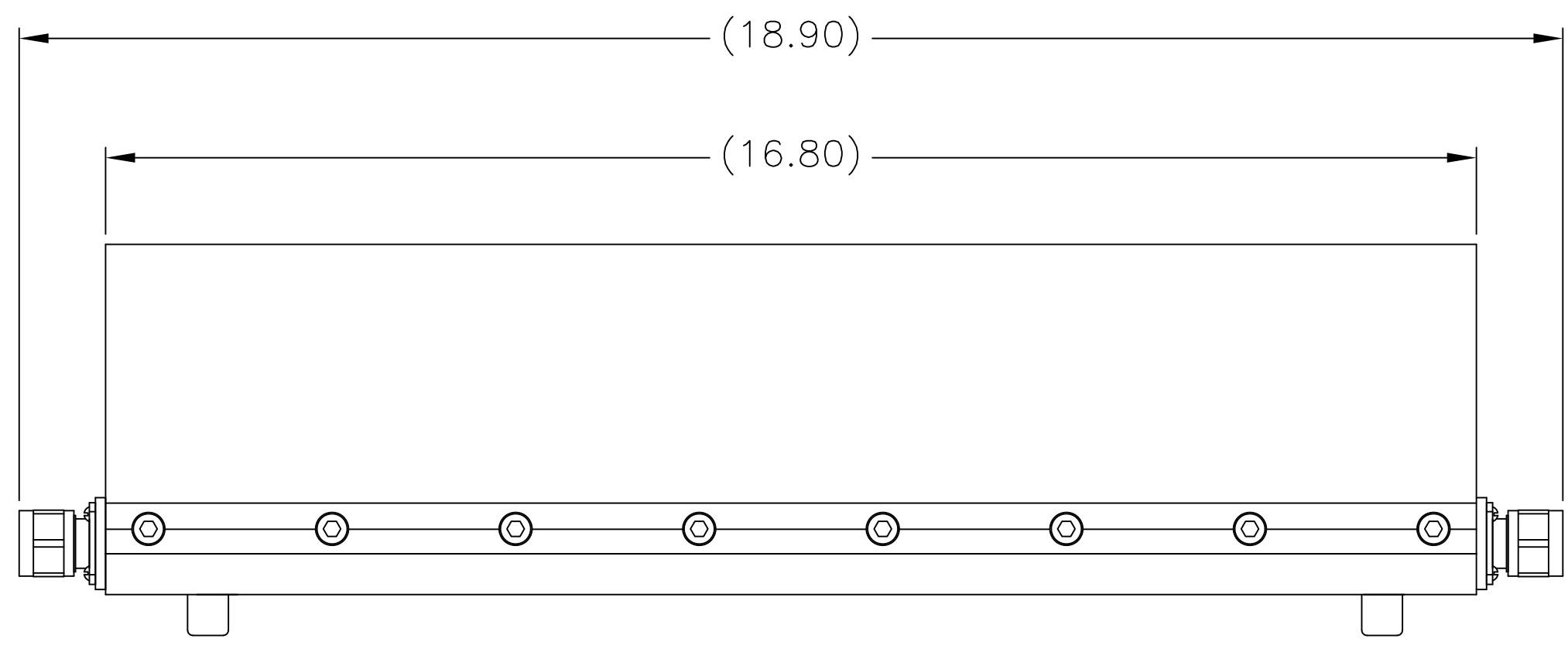
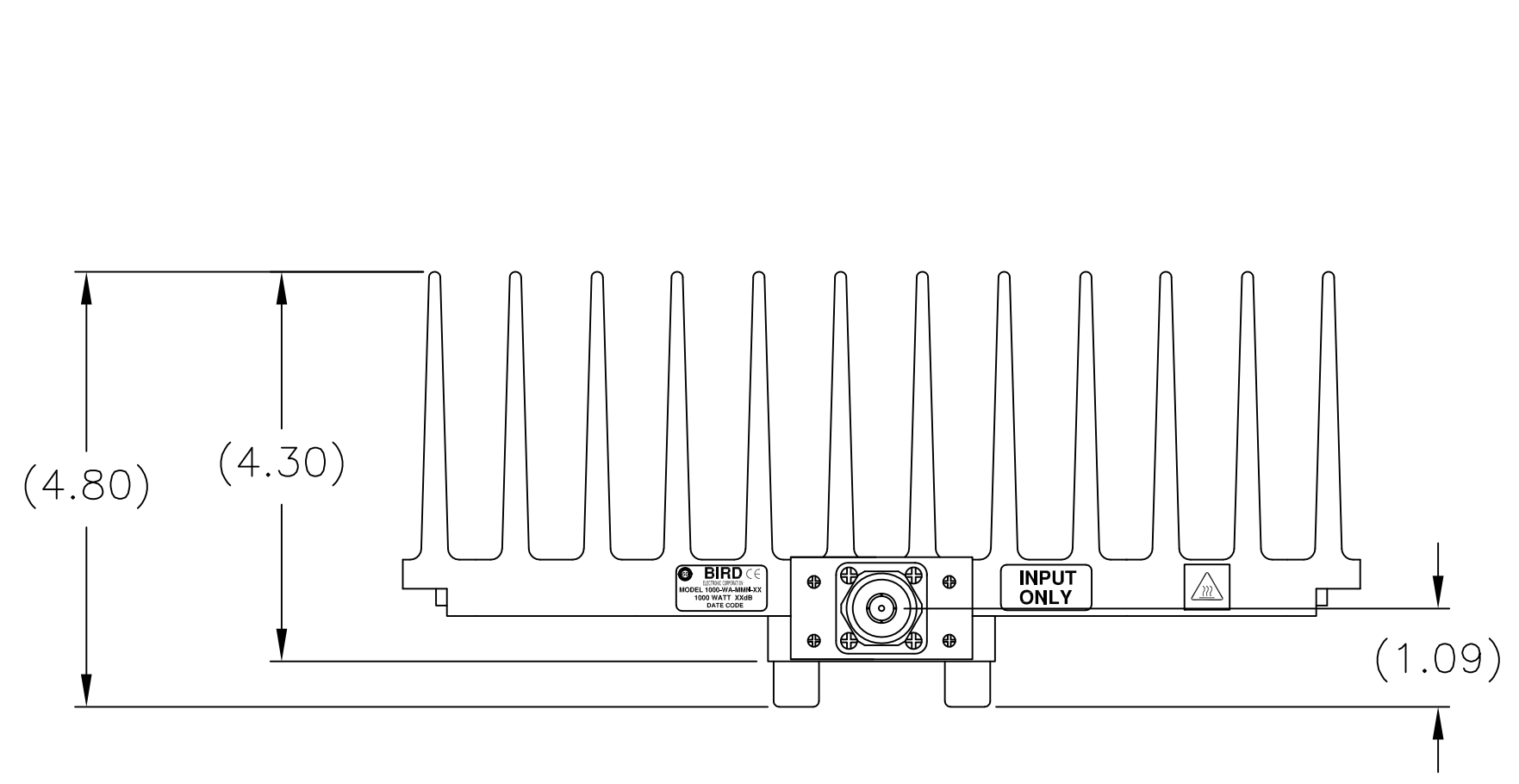


REVISIONS			
REV	DESCRIPTION	DATE	APPROVED
B	REV. & REDRAWN TO AGREE WITH ACTUAL PRODUCT. ECO: 15362/DMD	2-18-14	DMD
C	DEL. DASHES 03 & 06 ECO:17266/HS	2-4-21	<i>[Signature]</i>

SPECIFICATIONS:  
 IMPEDANCE: 50 OHMS NOMINAL  
 FREQUENCY RANGE: DC TO 2.4GHz  
 VSWR: DC TO 1GHz AT 1.10:1 MAX.  
 1GHz TO 2.4 GHz AT 1.25:1 MAX.  
 POWER RATING: 1000 WATTS AVG. (UNI-DIRECTIONAL) AT 25°C AMBIENT  
 COOLING FIN: ALUMINUM, BLACK ANODIZED  
 COVER: ALUMINUM, BLACK ANODIZED  
 CONNECTORS: N-TYPE MALE/MALE  
 OPERATING POSITION: ANY POSITION EXCEPT MOUNTING SURFACE UP  
 NOMINAL SIZE: APPROX. 18.90 L X 10.54" W X 4.80" H  
 WEIGHT: APPROX. 26.5 LBS



DASH NO.	dB ATTEN.	ATTENUATOR DC - 1GHz	ACCURACY ±dB 1 - 2.4GHz
-30	30	±1.0	-0.5dB/+1.5dB
-20	20	±0.6	-0.5dB/+1.5dB
-10	10	±0.6	-0.5dB/+1.5dB

NOTE:  
 FOR VALUES NOT LISTED, REFER TO THE NEXT HIGHER ATTENUATION LEVEL FOR SPECIFICATIONS.  
 FOR ATTENUATION VALUES GREATER THAN THE HIGHEST LISTED ATTENUATION VALUE, REFER TO THE VALUE 1/2 THE DESIRED ATTENUATION LEVEL, THEN DOUBLE THE LISTED SPECIFICATION VALUES, UNLESS OTHERWISE SPECIFIED.

UNLESS OTHERWISE SPECIFIED DIMENSIONS ARE IN INCHES		APPROVALS		DATE	
TOLERANCES ARE: FRACTIONS ±1/64 DECIMALS .XX= ±0.010 .XXX= ±0.005 ANGLES ±30° MILLIMETERS .X= ±.4 .XX= ±.12 DO NOT SCALE DRAWING		DRN	DMD	11-14-09	
THIS DRAWING IS THE PROPERTY OF THE BIRD TECHNOLOGIES GROUP OR BIRD ELECTRONIC CORP. ORIGIN. THE DESIGN AND SPECIFICATIONS DISCLOSED HEREON ARE PROPRIETARY AND SHALL NOT BE REPRODUCED, NOR COPIED, NOR USED AS THE BASIS FOR THE MANUFACTURE OR SALE OF APPARATUS OR DEVICES WITHOUT THEIR EXPRESS WRITTEN CONSENT.		CHK	D. DOWNING	3/7/14	
BIRD		APP	D. DOWNING	3/7/14	
MATERIAL		CODE		TITLE	
D		70998		ATTENUATOR, CONVECTION COOLED, N-TYPE MALE/MALE, 1000 WATTS	
FINISH		CODE		FSCM NO.   SCALE   DWG. NO.   REV	
AT1		AT1		1000-WA-MMN-XX   C	
AUTOCAD		1:1		1 OF 1	