

4

3

2

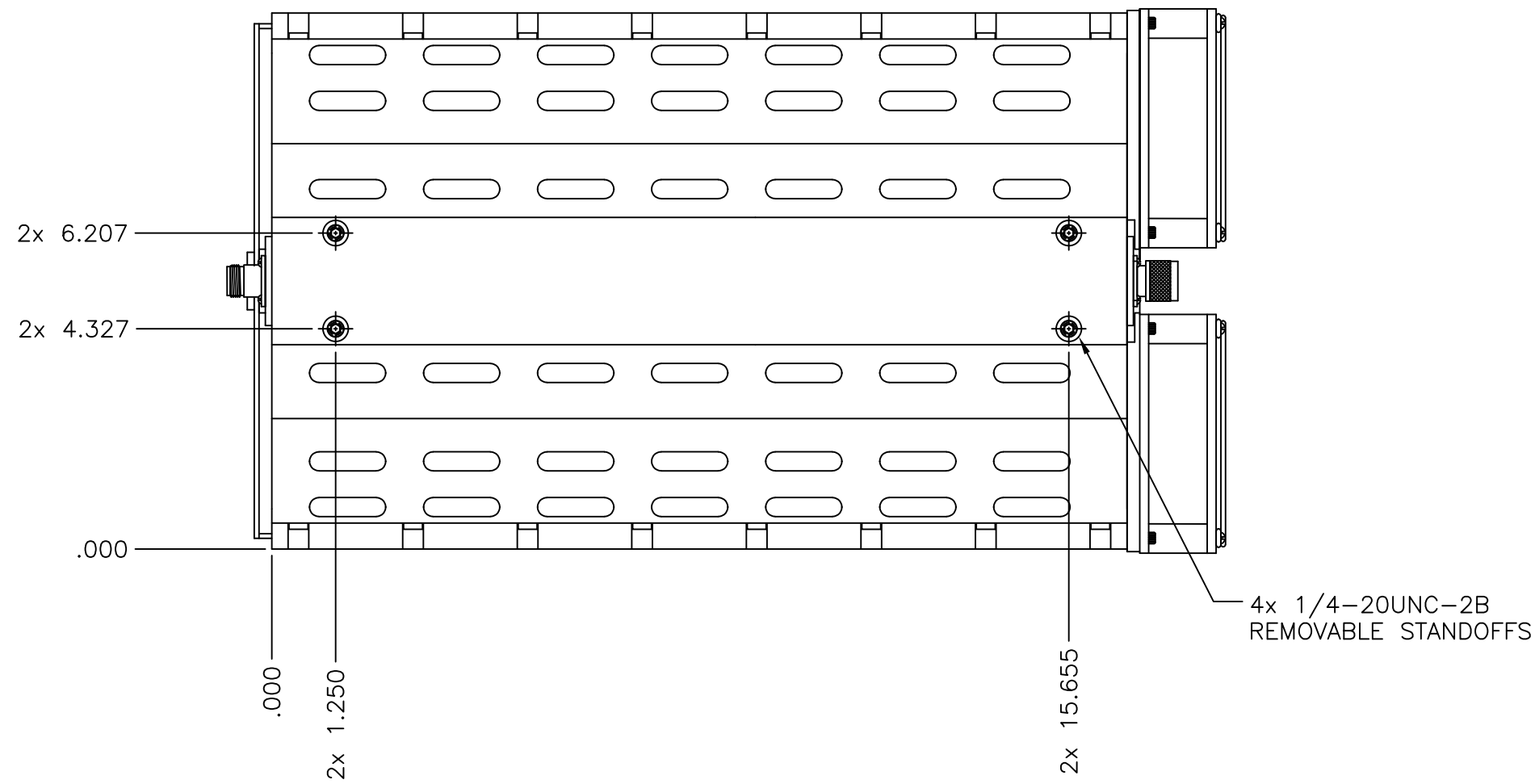
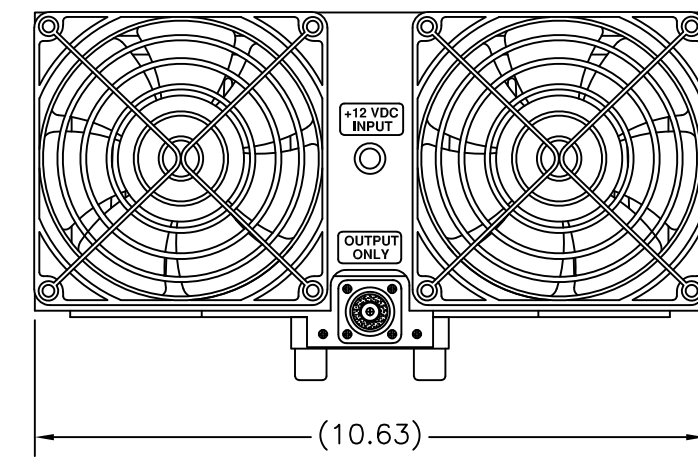
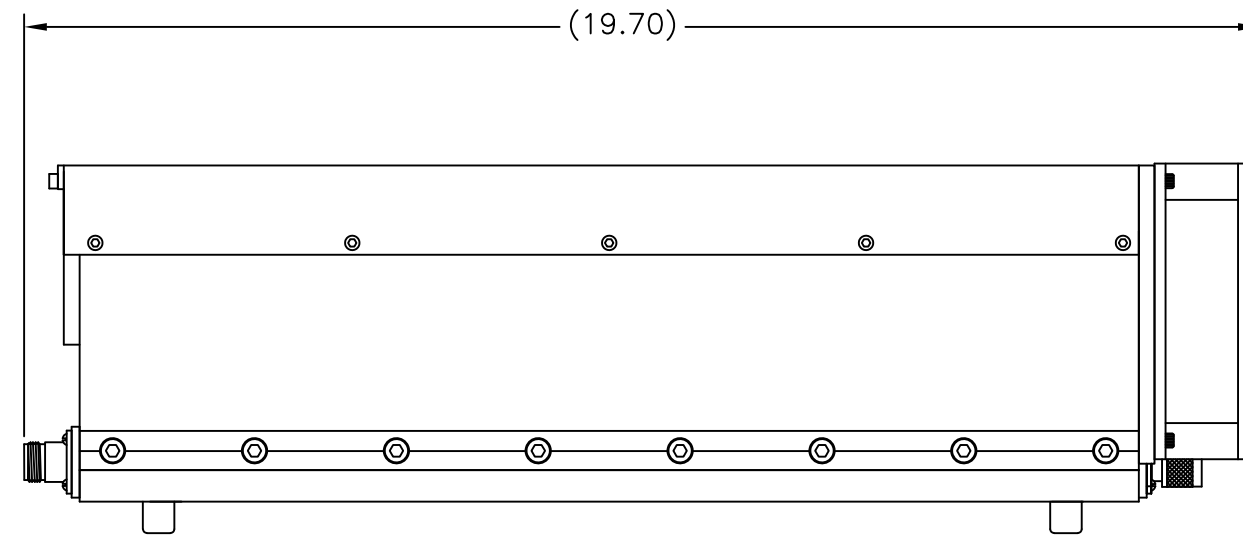
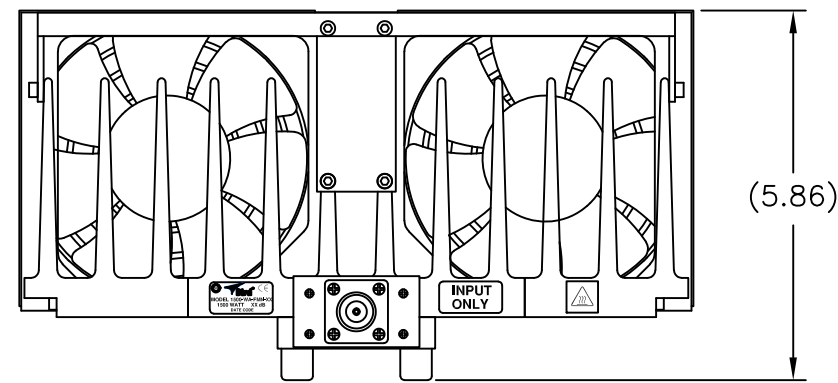
1

DWG. NO. 1500-WA-FMN-XX SHEET 1 REV B

REVISIONS			
REV	DESCRIPTION	DATE	APPROVED
A	RELEASED TO PRODUCTION	11-13-13	
B	DEL. DASHES 03 & 06, UPDATE ATTENUATION SPECS ECO:17266/HS	2-3-21	<i>[Signature]</i>

SPECIFICATIONS:

IMPEDANCE: 50 OHMS NOMINAL
 FREQUENCY RANGE: DC TO 2.4GHz
 VSWR: DC TO 1GHz AT 1.10:1 MAX.
 1GHz TO 2.4 GHz AT 1.25:1 MAX.
 POWER RATING: 1500 WATTS AVG., 4kW PEAK
 -WITH 210 CFM AIR FLOW AT 25°C.
 COOLING FIN AND SHROUD: ALUMINUM, BLACK ANODIZED
 COVER: ALUMINUM, BLACK ANODIZED
 CONNECTORS: N-TYPE MALE/FEMALE, TRI-ALLOY PLATED
 FANS: +12 VDC, BRUSHLESS (ACTIVATED ONLY WHEN UNIT REACHES +70°C.)
 - 90 VAC TO 264 VAC, 47 Hz TO 63 Hz, UNIVERSAL TRANSFORMER INCLUDED
 OPERATING POSITION: HORIZONTALLY
 NOMINAL SIZE: APPROX. 19.70"L x 10.63"W, 5.97"H
 WEIGHT: APPROX. 30 LBS.



XX = DASH NUMBER (dB VALUE)

-30	30	±1.0 dB	-0.5 dB/+1.5dB	-0.0 dB/+2.0dB
-20	20	±0.75 dB	-0.5 dB/+1.5dB	-0.0 dB/+2.0dB
-10	10	±0.75 dB	-0.5 dB/+1.5dB	-0.0 dB/+2.0dB
DASH NO.	dB ATTEN.	DC - 1GHz	1 - 2.0GHz	2.0 - 2.4GHz
		ATTENUATOR ACCURACY ±dB		

NOTE:
 FOR VALUES NOT LISTED, REFER TO THE NEXT HIGHER ATTENUATION LEVEL FOR SPECIFICATIONS. FOR ATTENUATION VALUES GREATER THAN THE HIGHEST LISTED ATTENUATION VALUE, REFER TO THE VALUE 1/2 THE DESIRED ATTENUATION LEVEL, THEN DOUBLE THE LISTED SPECIFICATION VALUES, UNLESS OTHERWISE SPECIFIED.

UNLESS OTHERWISE SPECIFIED DIMENSIONS ARE IN INCHES
 TOLERANCES ARE:
 FRACTIONS ±1/64 DECIMALS .XX = ±.010 .XXX = ±.005
 ANGLES ±30' MILLIMETERS .X = ±.4 .XX = ±.12
 DO NOT SCALE DRAWING

APPROVALS		DATE
DRN	DMD	11-13-13
CHK	DMD	11-13-13
APP	DMD	11-13-13

THIS DRAWING IS THE PROPERTY OF THE BIRD TECHNOLOGIES GROUP OR BIRD ELECTRONIC CORPORATION. THE DESIGNS AND SPECIFICATIONS DISCLOSED HEREON ARE PROPRIETARY AND SHALL NOT BE REPRODUCED, NOR COPIED, NOR USED AS THE BASIS FOR THE MANUFACTURE OR SALE OF APPARATUS OR DEVICES WITHOUT THEIR EXPRESS WRITTEN CONSENT.

MATERIAL	CODE
FINISH	CODE



TITLE ATTENUATOR, FORCED AIR COOLED, 1500W, N-TYPE FEMALE INPUT/MALE OUTPUT			
C	FSCM NO. 70998	SCALE 1:1	DWG. NO. 1500-WA-FMN-XX REV B
PROJ./LIB	AUTOCAD	COMM CODE AT1	SHEET 1 OF 1

4

3

2

1