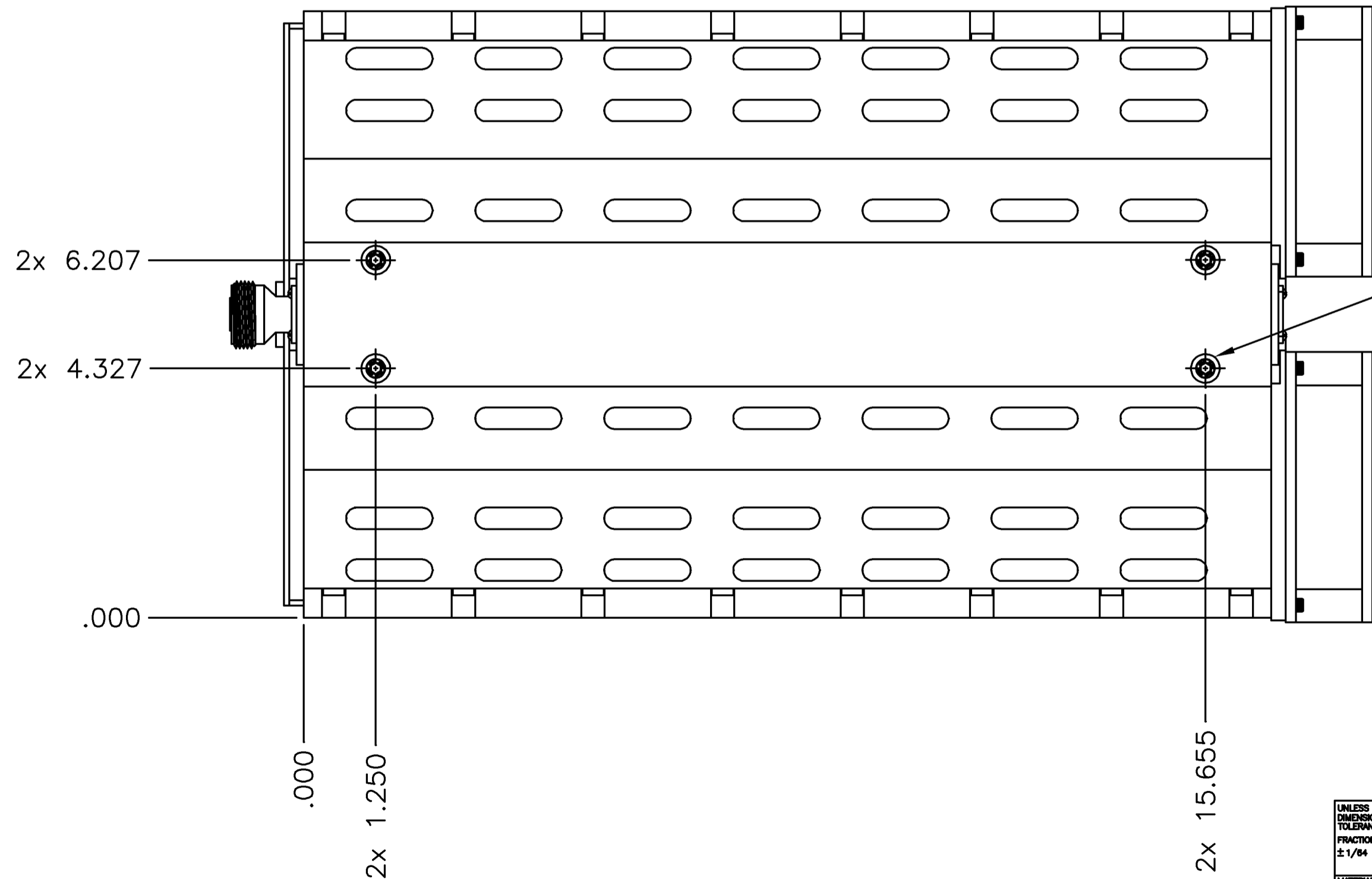
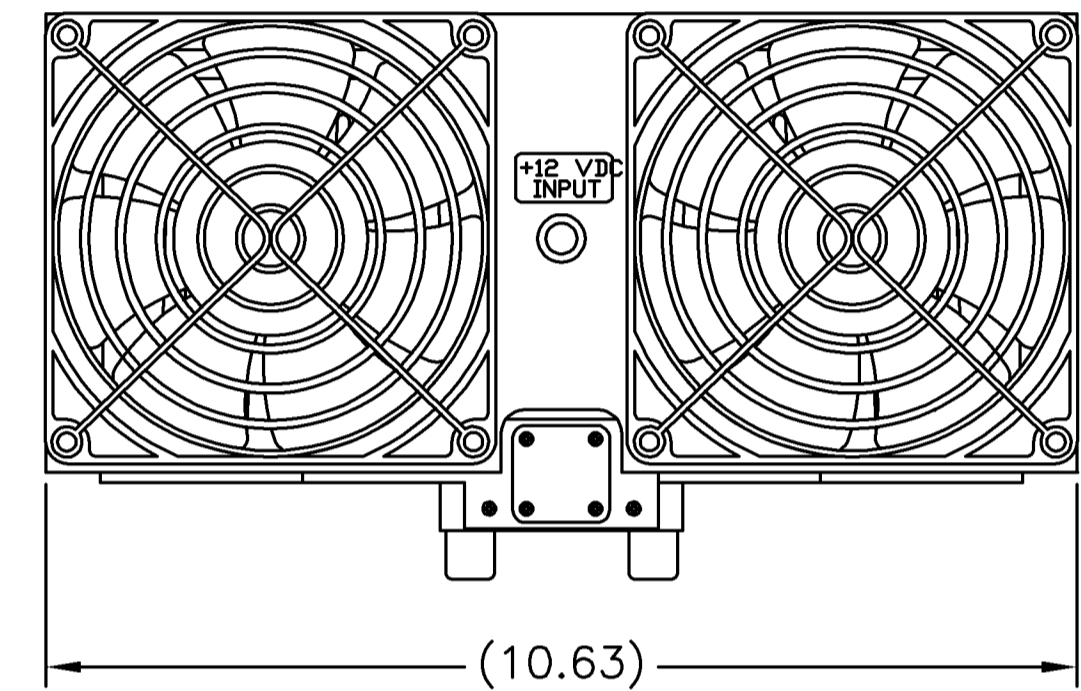
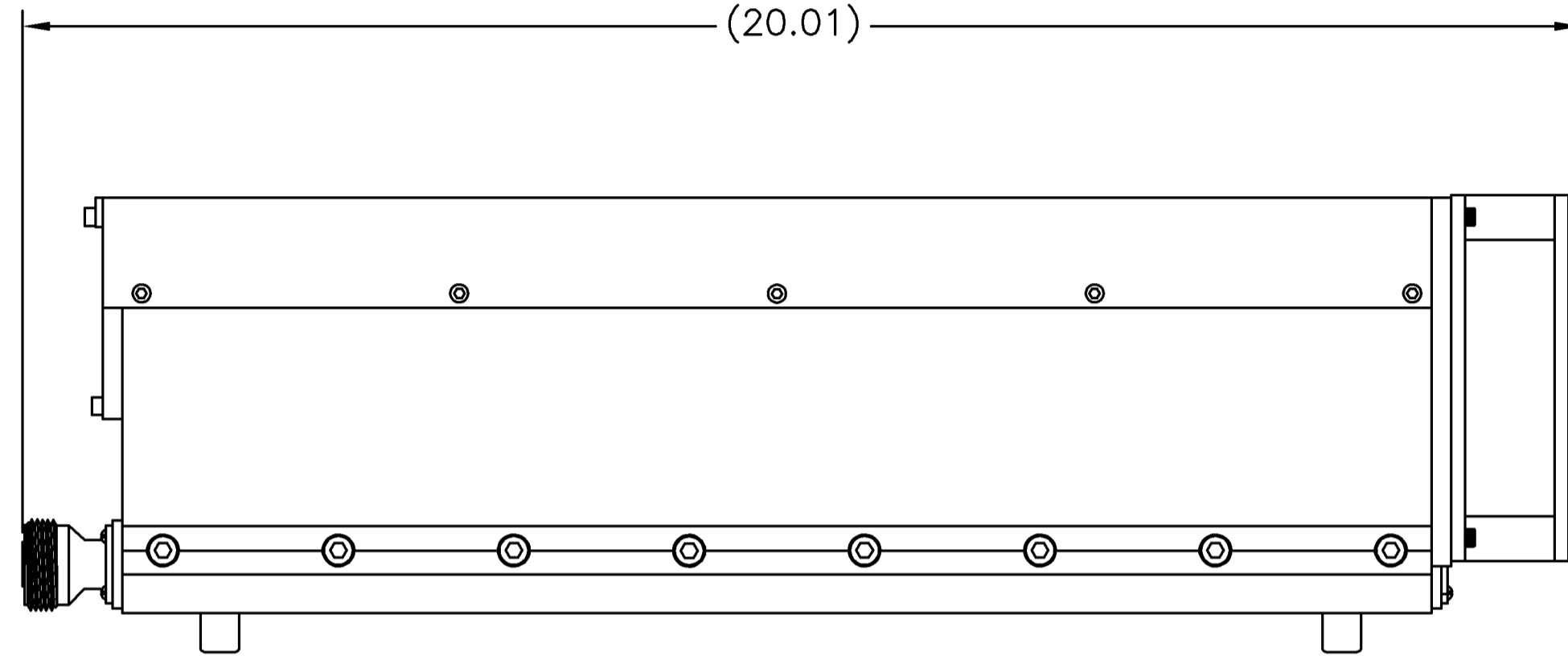
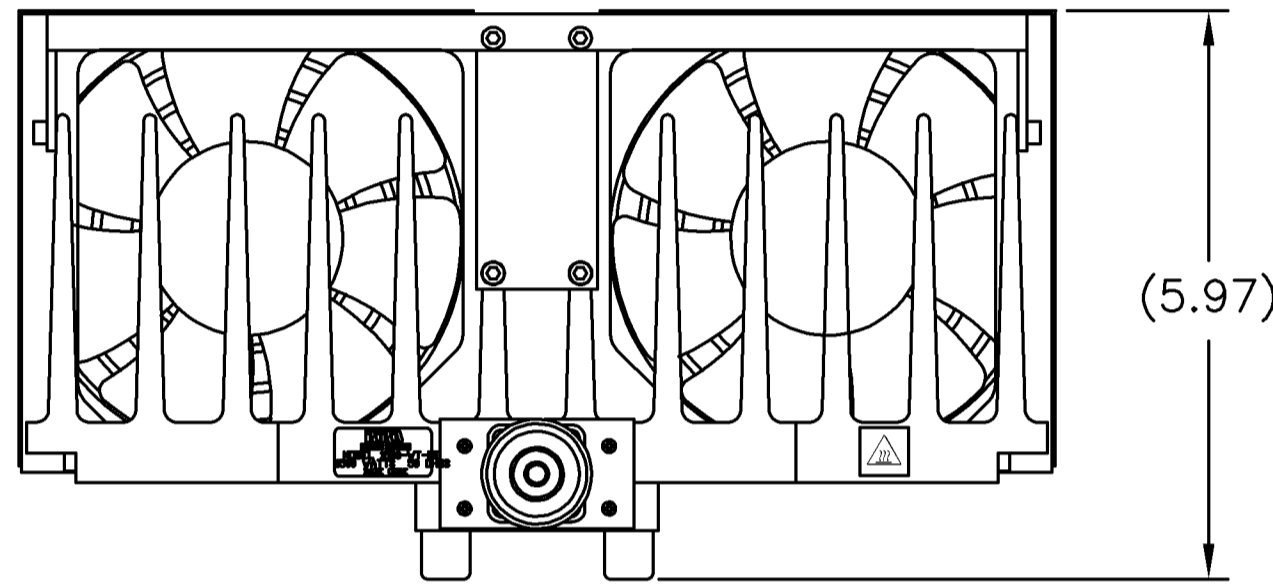


SPECIFICATIONS:
 IMPEDANCE: 50 OHMS NOMINAL
 FREQUENCY RANGE: DC TO 2.4GHz
 VSWR: DC TO 1GHz AT 1.10:1 MAX.
 1GHz TO 2.4 GHz AT 1.25:1 MAX.
 POWER RATING: 1500 WATTS AVG. 4kW PEAK
 - WITH 210 CFM AIR FLOW AT 25°C.
 COOLING FIN AND SHROUD: ALUMINUM, BLACK ANODIZED
 COVER: ALUMINUM, BLACK ANODIZED
 CONNECTOR: 7/16 DIN FEMALE, TRI-ALLOY PLATED
 FANS: +12VDC, BRUSHLESS (ACTIVATED ONLY WHEN UNIT REACHES +70°C.)
 - 90 VAC TO 264 VAC, 47 Hz TO 63 Hz, UNIVERSAL TRANSFORMER INCLUDED
 OPERATING POSITION: HORIZONTALLY (STANDOFFS DOWN)
 NOMINAL SIZE: APPROX. 20.01" L X 10.63" W X 5.97" H
 WEIGHT: APPROX. 30 LBS

REVISIONS				
ZONE	REV	DESCRIPTION	DATE	APPROVED
	A	DRAWING RELEASE PER DMD	dmd 1-25-06	



DIMENSIONS HEREON ARE FOR CUSTOMER CONVENIENCE AND REFERENCE ONLY. TOLERANCE TO BE APPLIED ONLY WHERE INDIVIDUALLY STATED ON THE RESPECTIVE DIMENSION. -DO NOT SCALE DRAWING-

UNLESS OTHERWISE SPECIFIED DIMENSIONS ARE IN INCHES		MILLIMETERS		THIS DRAWING IS THE PROPERTY OF THE BIRD ELECTRONIC CORPORATION. THE DESIGNS AND SPECIFICATIONS DISCLOSED HEREON ARE PROPRIETARY AND SHALL NOT BE REPRODUCED, NOR COPIED, NOR USED AS THE BASIS FOR THE MANUFACTURE OR SALE OF APPARATUS OR DEVICES WITHOUT THEIR EXPRESS WRITTEN CONSENT.	
TOLERANCES ARE:		.30" ±.4		BIRD Electronic Corporation	
FRACTIONS DECIMALS ANGLES		.001" ±.010 ±.30'		Cleveland (Solon) Ohio USA	
±.1754		.000" ±.006		TERMINATION, FORCED AIR COOLED	
DO NOT SCALE DRAWING		DO NOT SCALE DRAWING		7/16 DIN FEMALE, 1500W	
APPROVALS		DATE		TITLE	
DRAWN D.M.RINK		1-26-06		70998	
CHECKED D. DOWNING		1-26-06		1500-WT-FE	
APPROVED D. DOWNING		1-26-06		A	
MATERIAL		SCALE		SHEET	
FINISH		1:1		1 OF 1	
		AUTOCAD		AT1	

DWG NO. 1500-WT-FE REV A