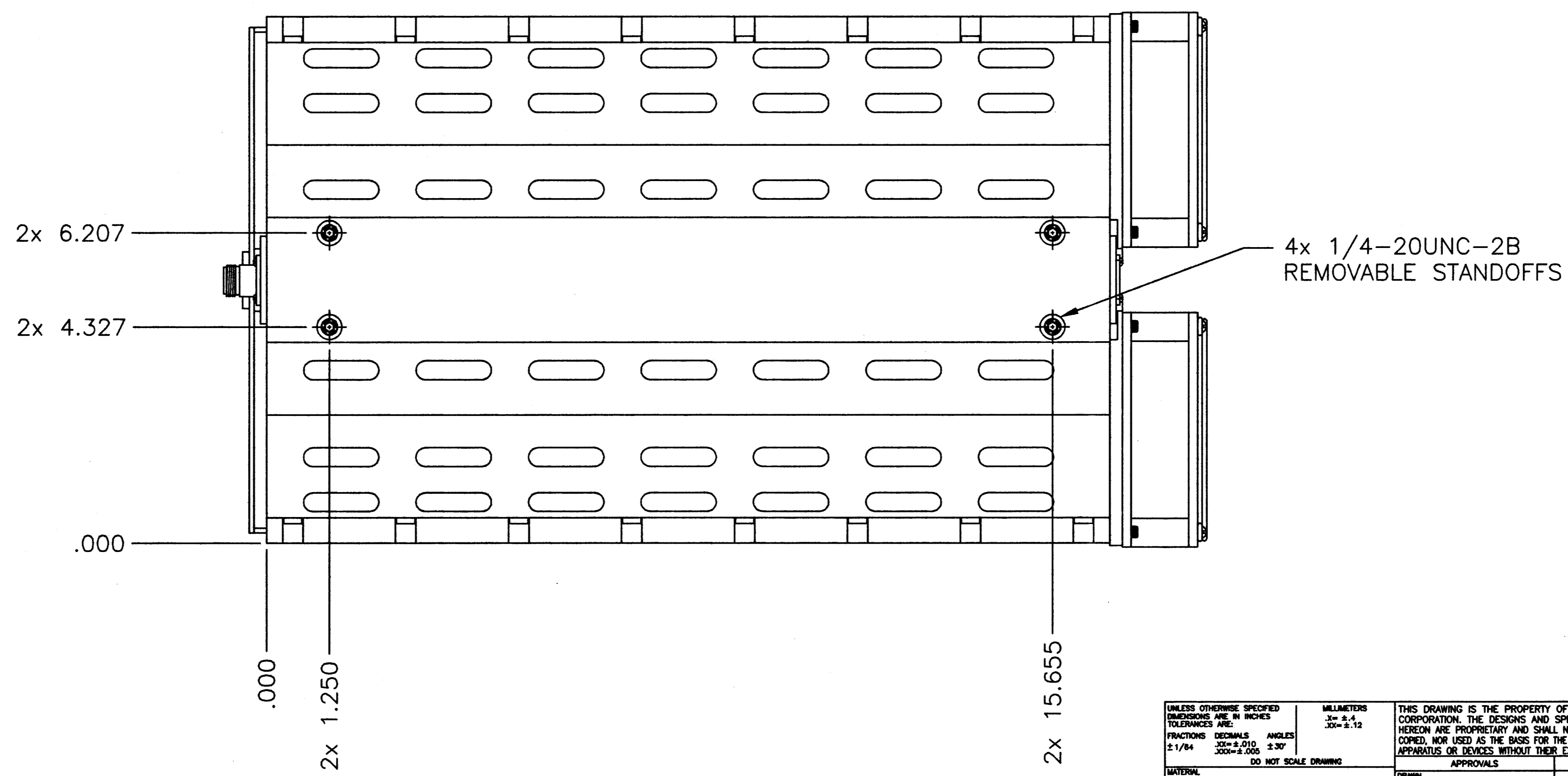
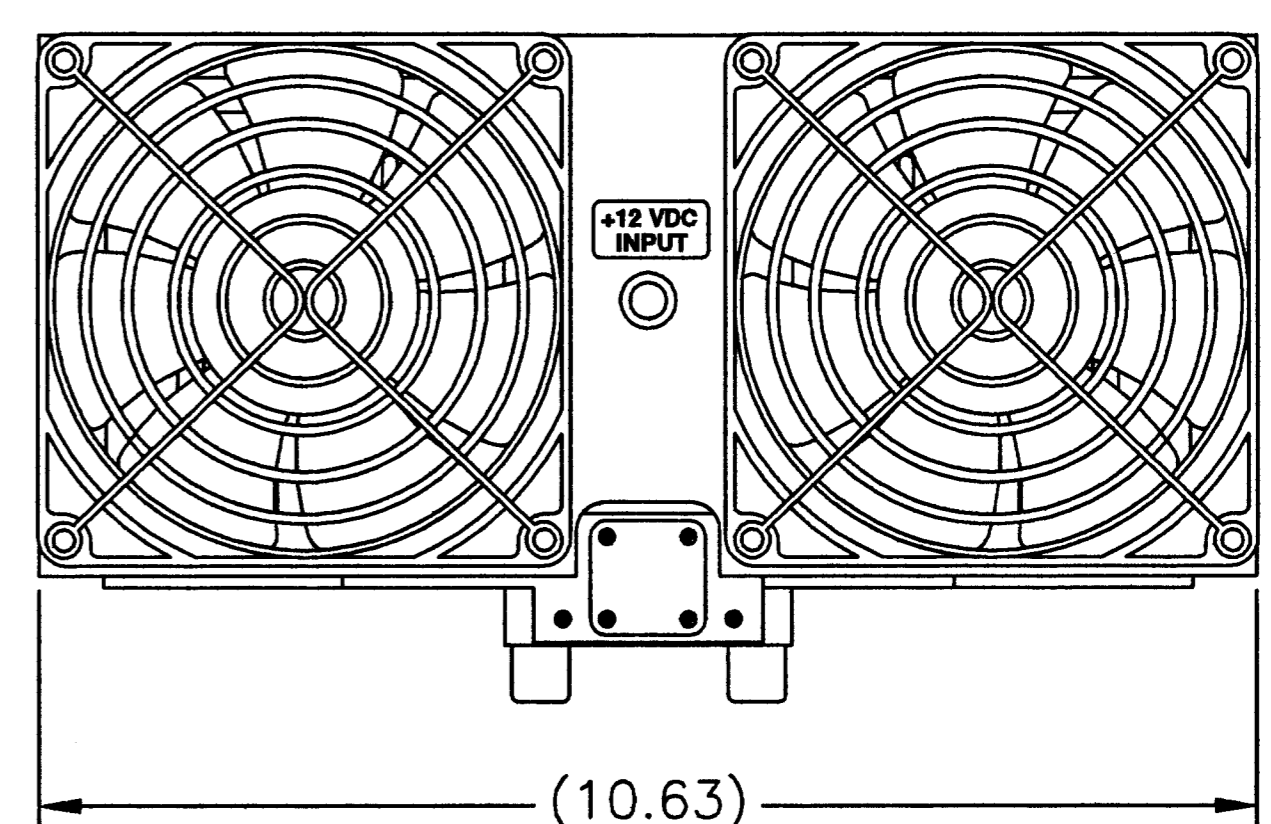
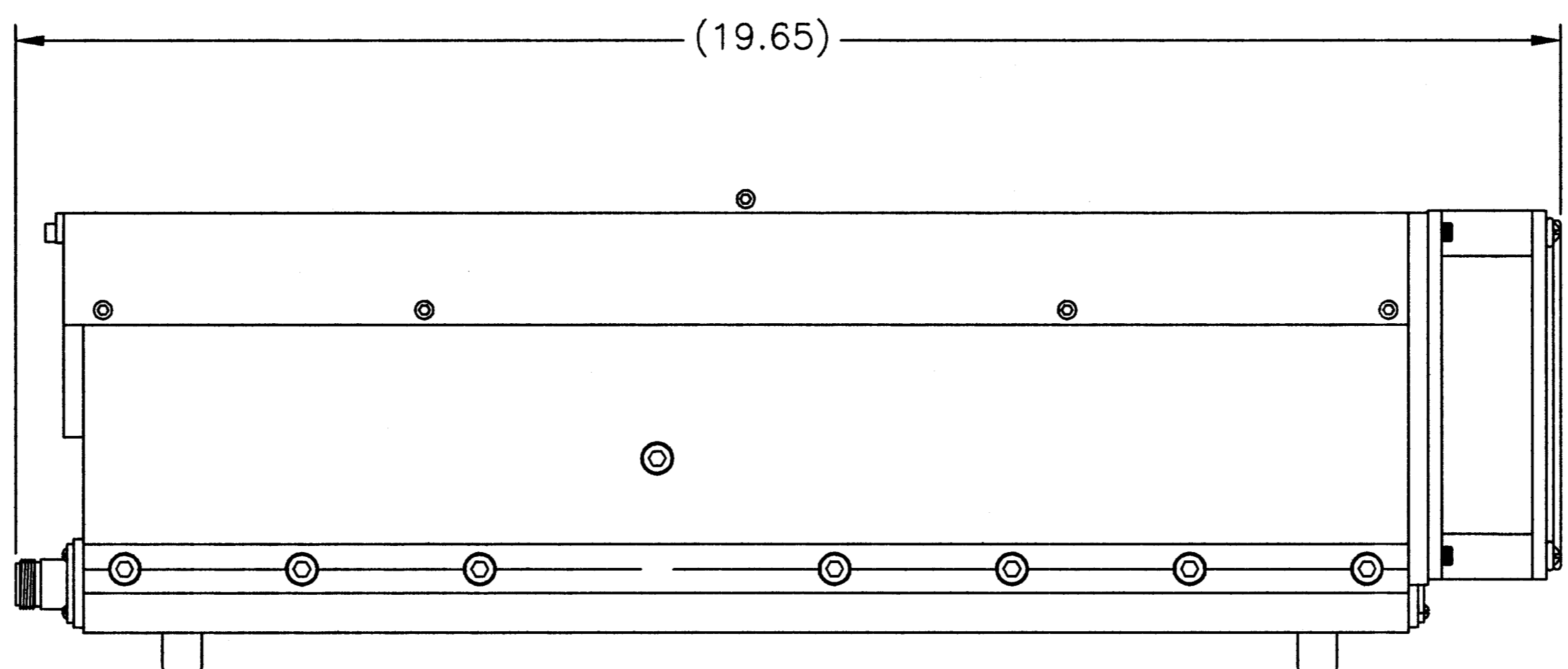
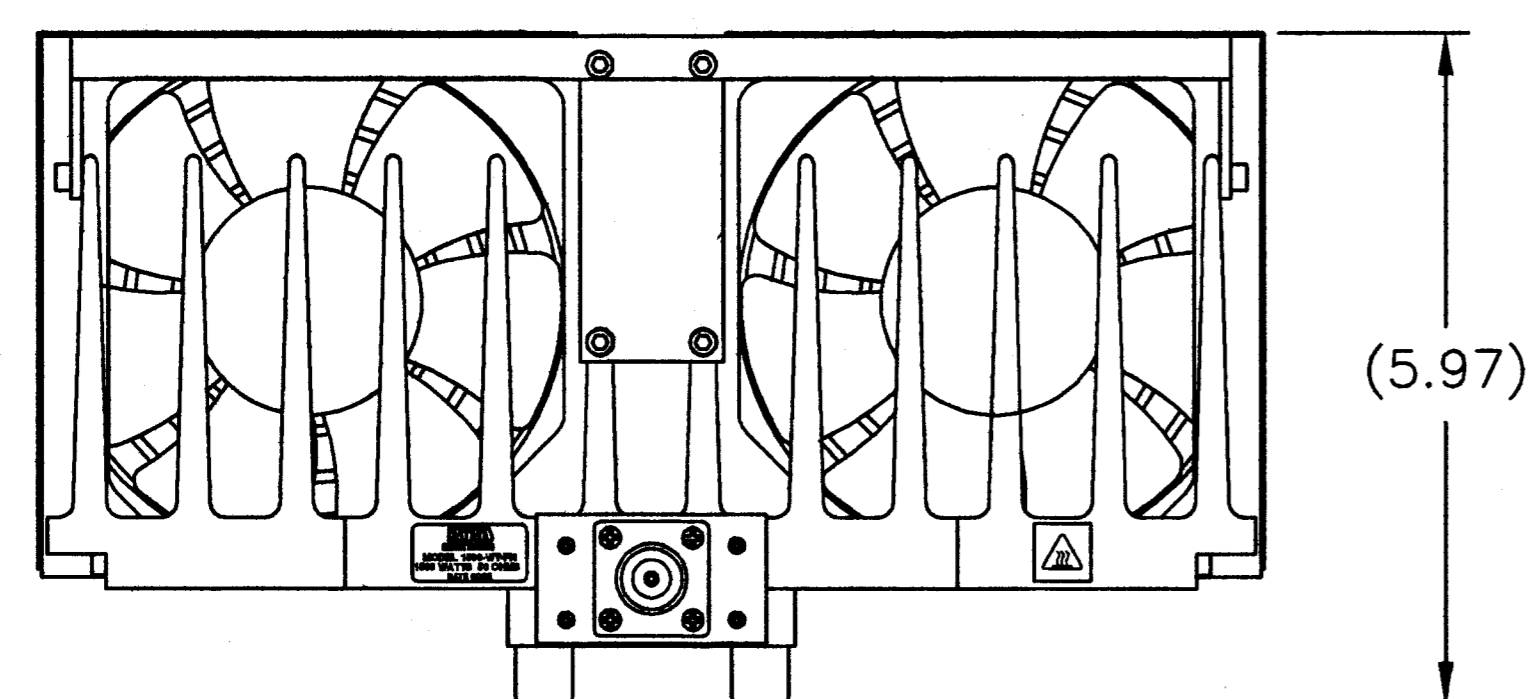


REVISIONS				
ZONE	REV	DESCRIPTION	DATE	APPROVED
A		CONVERT TO BEC FORMAT	DMR 4-3-03	<i>MB</i>

**SPECIFICATIONS:**

IMPEDANCE: 50 OHMS NOMINAL  
 FREQUENCY RANGE: DC TO 2.4GHz  
 VSWR: DC TO 1GHz AT 1.10:1 MAX.  
 1GHz TO 2.4 GHz AT 1.25:1 MAX.  
 POWER RATING: 1500 WATTS AVG. 4kW PEAK  
 - WITH 210 CFM AIR FLOW AT 25°C.  
 COOLING FIN AND SHROUD: ALUMINUM, BLACK ANODIZED  
 COVER: ALUMINUM, BLACK ANODIZED  
 CONNECTOR: N-TYPE FEMALE, TRI-ALLOY PLATED  
 FANS: +12VDC, BRUSHLESS (ACTIVATED ONLY WHEN UNIT REACHES +70°C.)  
 - 90 VAC TO 264 VAC, 47 Hz TO 63 Hz, UNIVERSAL TRANSFORMER INCLUDED  
 OPERATING POSITION: HORIZONTALLY  
 NOMINAL SIZE: APPROX. 19.65" L X 10.63" W X 5.97" H  
 WEIGHT: APPROX. 30 LBS



- NOTES:**
- ☑ 1. PART MUST BE BURR FREE.
  - ☑ 2. CHAMFER 1st THREAD.
  - ☑ 3. 63 MICROINCH UNLESS OTHERWISE SPECIFIED.
  - ☐ 4. PER BPS.
  - ☑ 5. .005 RADIUS ON ALL INSIDE & OUTSIDE CORNERS UNLESS OTHERWISE SPECIFIED.

UNLESS OTHERWISE SPECIFIED DIMENSIONS ARE IN INCHES TOLERANCES ARE: FRACTIONS DECIMALS ANGLES 2/1/84 .001±.010 ±.30° 1000±.005		MILLIMETERS ±.4 ±.12		THIS DRAWING IS THE PROPERTY OF THE BIRD ELECTRONIC CORPORATION. THE DESIGNS AND SPECIFICATIONS DISCLOSED HEREON ARE PROPRIETARY AND SHALL NOT BE REPRODUCED, COPIED, NOR USED AS THE BASIS FOR THE MANUFACTURE OR SALE OF APPARATUS OR DEVICES WITHOUT THEIR EXPRESS WRITTEN CONSENT.		 BIRD Electronic Corporation Cleveland (Solon) Ohio USA	
MATERIAL		APPROVALS		DATE		TITLE	
FINISH		DRAWN D.M.RINK		4-3-03		TERMINATION, FORCED AIR COOLED N-TYPE FEMALE, 1500W	
AUTOCAD		APPROVED <i>Wlaa V</i>		10-29-03		SIZE D FROM NO. 70998 DWG. NO. 1500-WT-FN REV A	
SCALE 1:1		SHEET 1 OF 1		AT1		1 OF 1	