

8

7

6

5

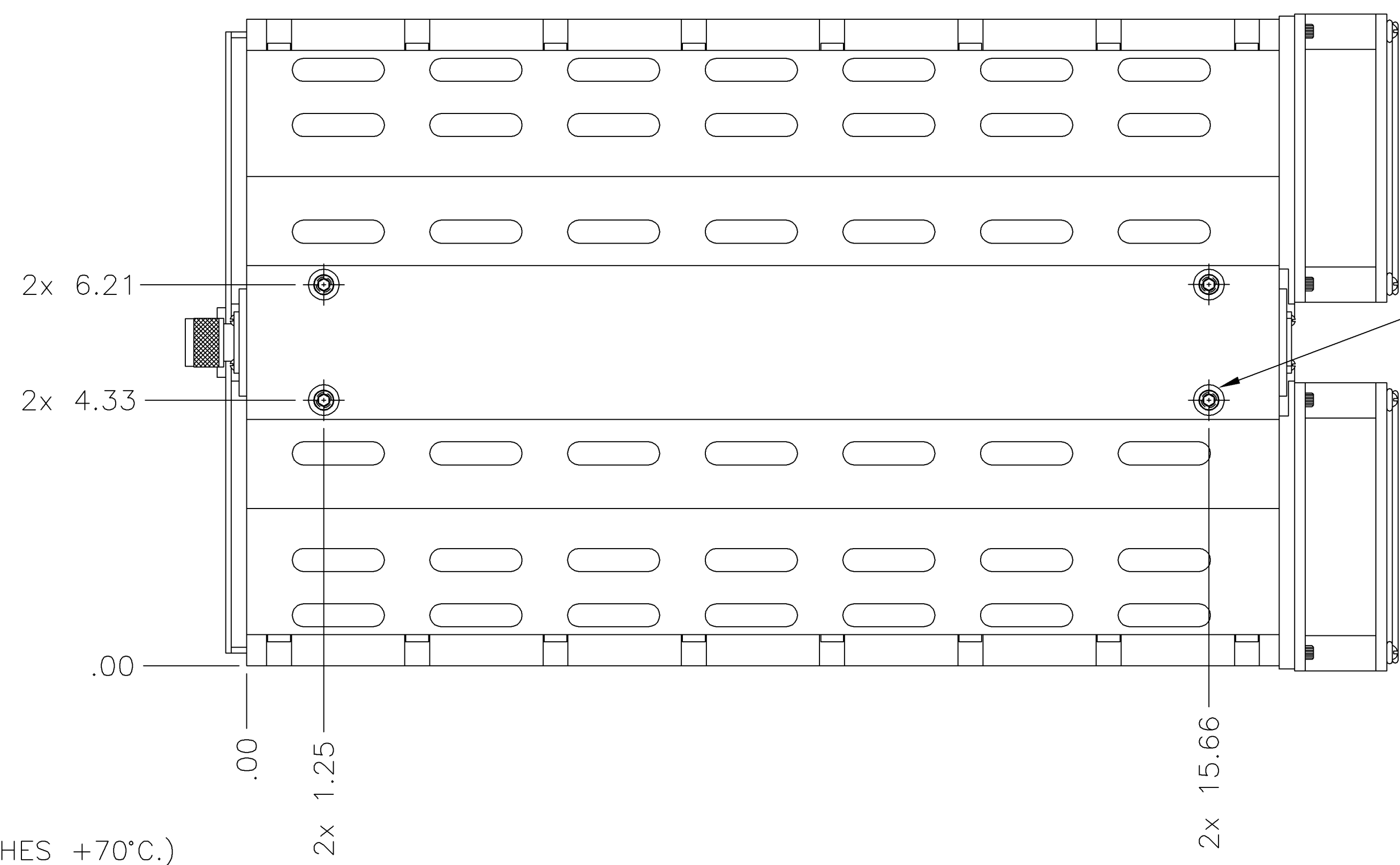
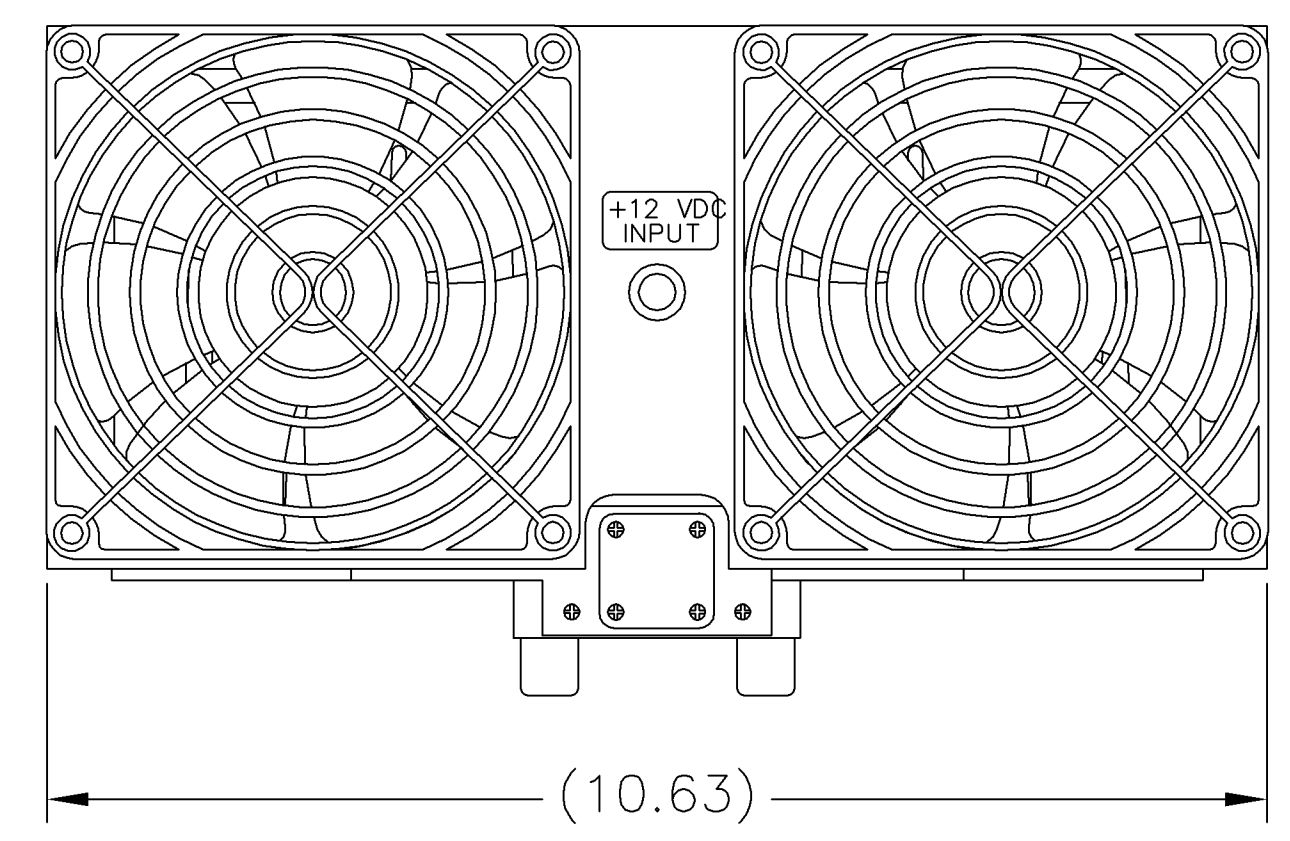
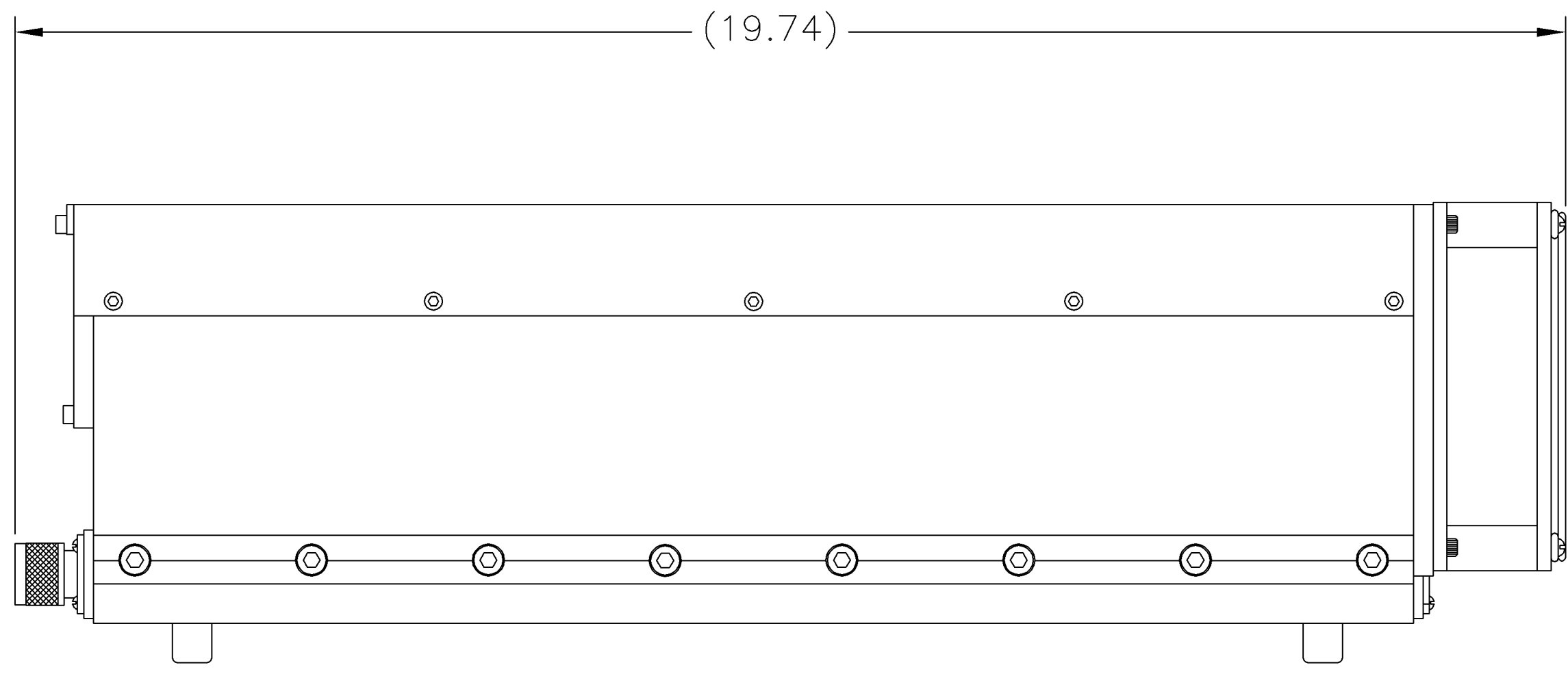
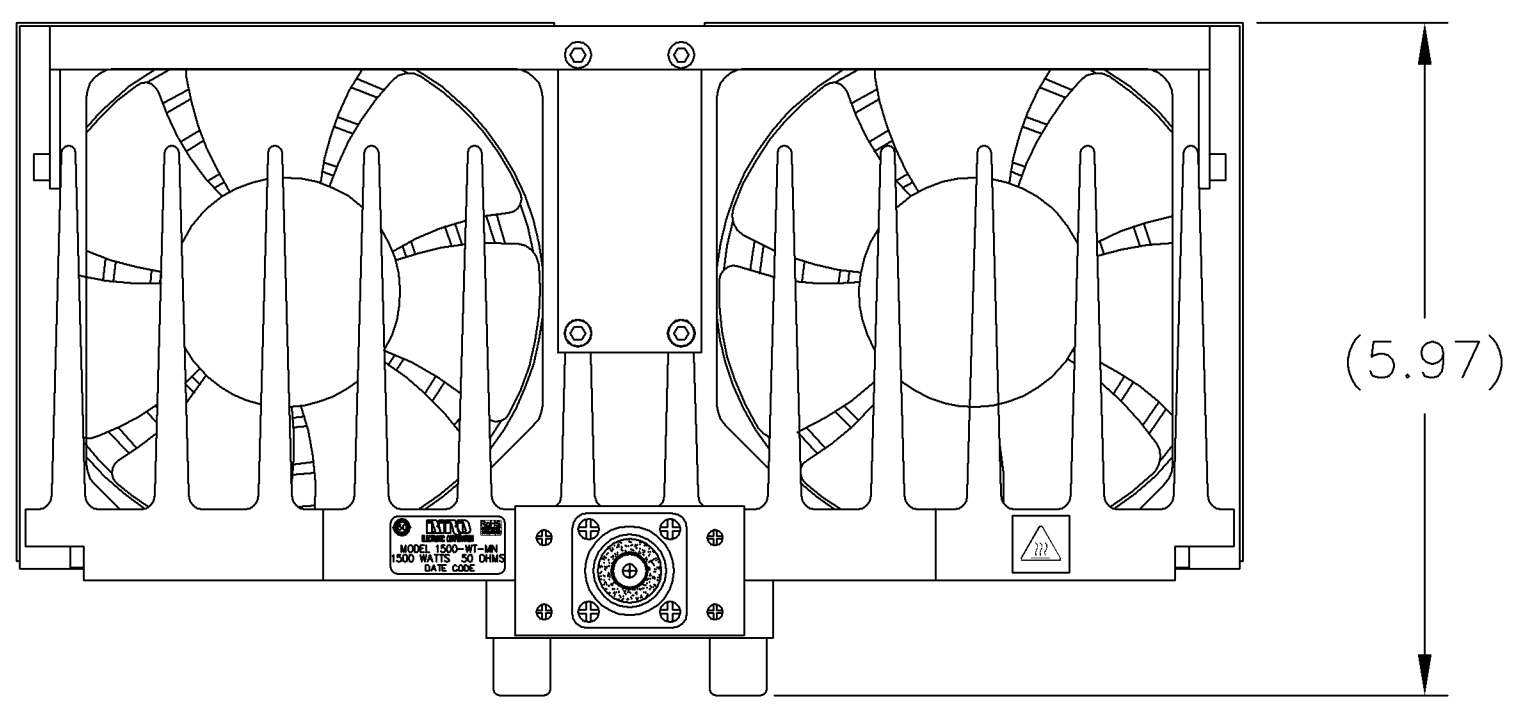
4

3

DWG. NO. 1500-WT-MN SHEET 1 REV A

1

REVISIONS			
REV	DESCRIPTION	DATE	APPROVED
A	CONVERT TO BTG FORMAT	12-1-08	[Signature]



4x 1/4-20UNC-2B  
REMOVABLE STANDOFFS

SPECIFICATIONS:  
 IMPEDANCE: 50 OHMS NOMINAL  
 FREQUENCY RANGE: DC TO 2.4GHz  
 VSWR: DC TO 1GHz AT 1.10:1 MAX.  
 1GHz TO 2.4 GHz AT 1.25:1 MAX.  
 POWER RATING: 1500 WATTS AVG. 4kW PEAK  
 - WITH 210 CFM AIR FLOW AT 25°C.  
 COOLING FIN AND SHROUD: ALUMINUM, BLACK ANODIZED  
 COVER: ALUMINUM, BLACK ANODIZED  
 CONNECTOR: N-TYPE MALE, TRI-ALLOY PLATED  
 FANS: +12VDC, BRUSHLESS (ACTIVATED ONLY WHEN UNIT REACHES +70°C.)  
 - 90 VAC TO 264 VAC, 47 Hz TO 63 Hz, UNIVERSAL TRANSFORMER INCLUDED  
 OPERATING POSITION: HORIZONTALLY (STANDOFFS DOWN)  
 NOMINAL SIZE: APPROX. 19.74" L X 10.63" W X 5.97" H  
 WEIGHT: APPROX. 30 LBS

UNLESS OTHERWISE SPECIFIED DIMENSIONS ARE IN INCHES		APPROVALS		DATE	
TOLERANCES ARE:		DRN	DMD	12-1-08	
FRACTIONS ±1/64	DECIMALS .XX = ±.010 .XXX = ±.005	CHK	D.M.RINK	12-5-08	
ANGLES ±30'	MILLIMETERS .XX = ±.4 .XX = ±.12	APP	DMD	12-6-08	
DO NOT SCALE DRAWING		MATERIAL		CODE	TITLE
THIS DRAWING IS THE PROPERTY OF THE BIRD TECHNOLOGIES GROUP OR BIRD ELECTRONIC CORPORATION. THE DESIGNS AND SPECIFICATIONS DISCLOSED HEREIN ARE PROPRIETARY AND SHALL NOT BE REPRODUCED, NOR COPIED, NOR USED AS THE BASIS FOR THE MANUFACTURE OR SALE OF APPARATUS OR DEVICES WITHOUT THEIR EXPRESS WRITTEN CONSENT.		FINISH		CODE	TERMINATION, FORCED AIR COOLED, N-TYPE MALE, 1500W
		PROJ./LBR		CODE	D FSCM NO. 70998 SCALE 1:1 DWG. NO. 1500-WT-MN REV A
		AUTOCAD		COMM CODE	LD1 SHEET 1 OF 1