

REVISIONS			
REV	DESCRIPTION	DATE	APPROVED
A	ENGINEERING RELEASE	1-16-18	

D

D

C

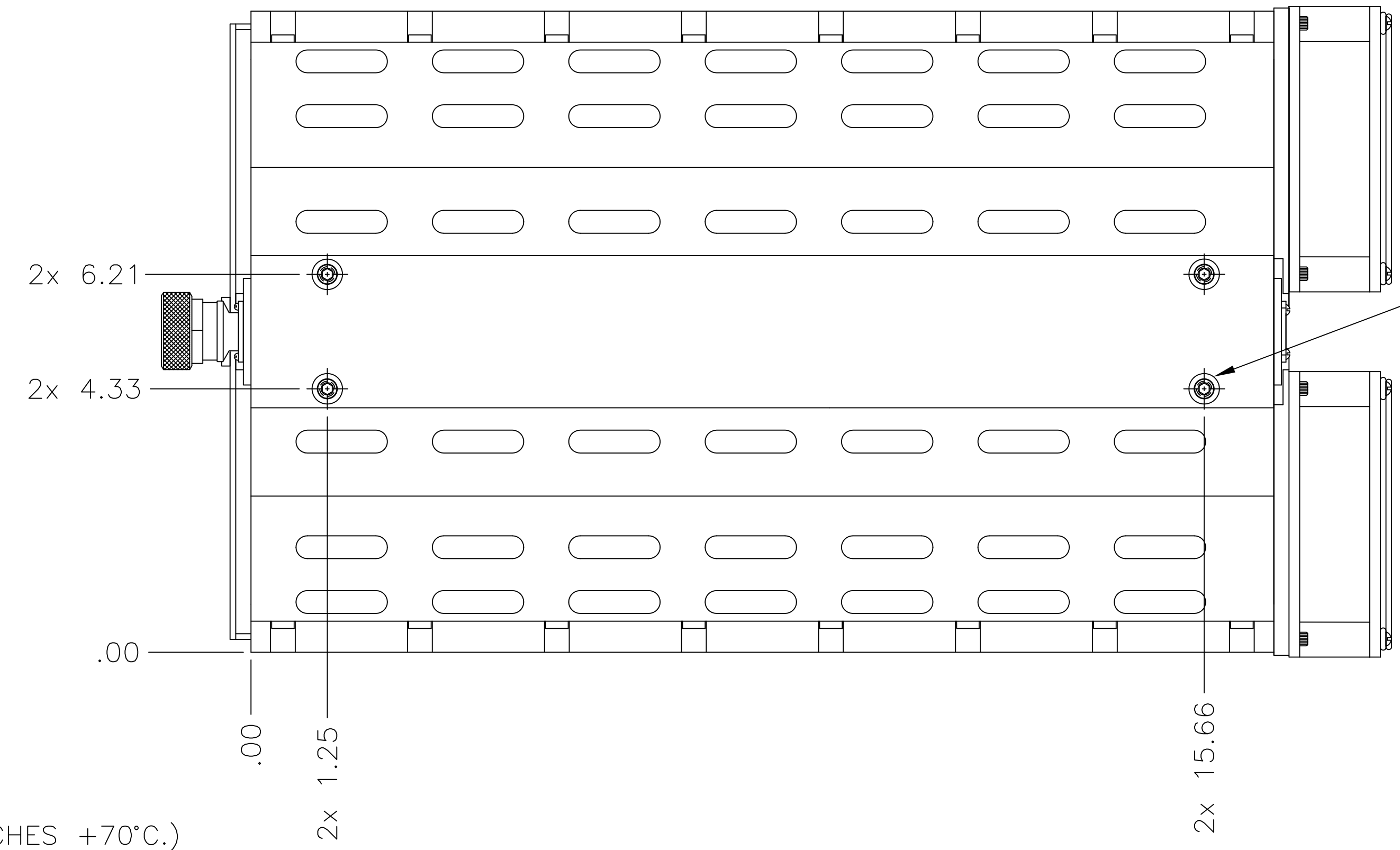
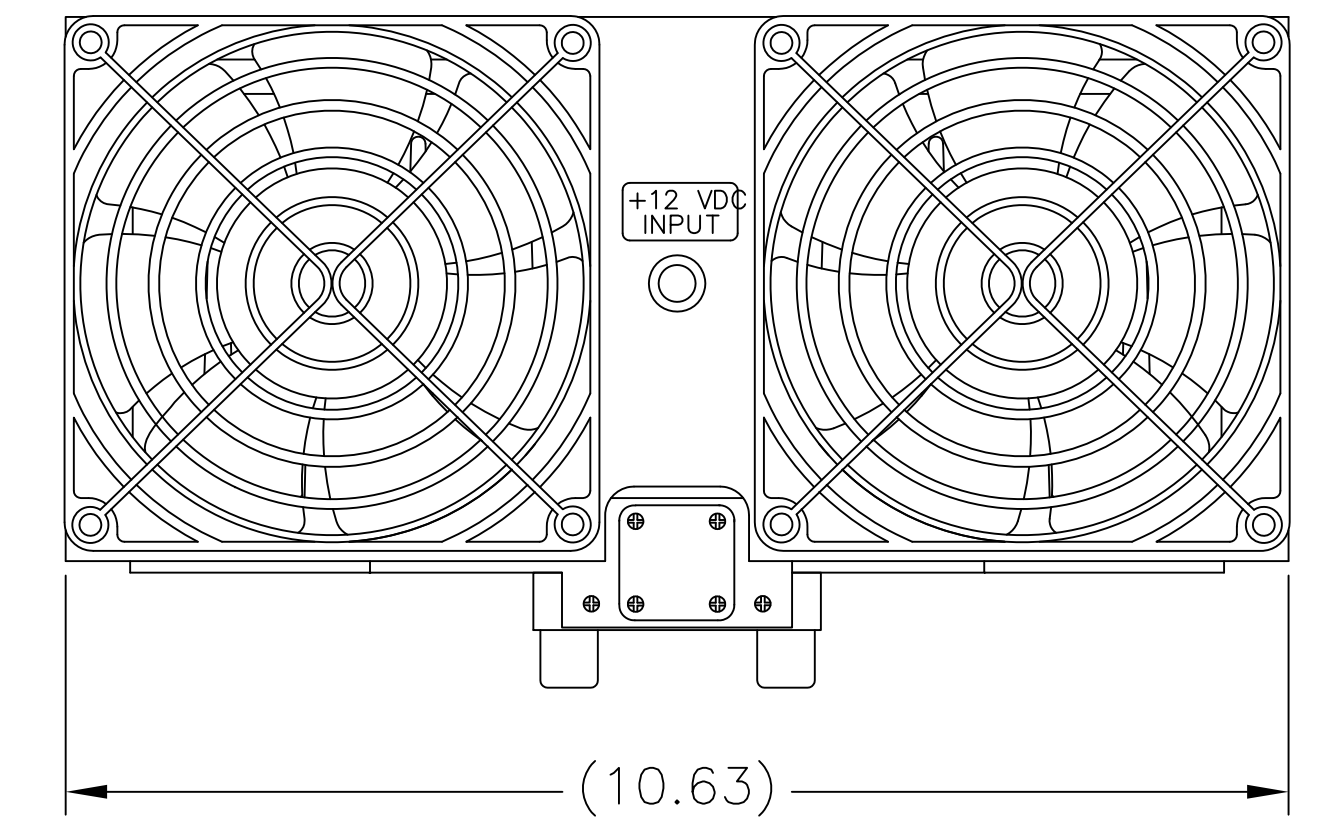
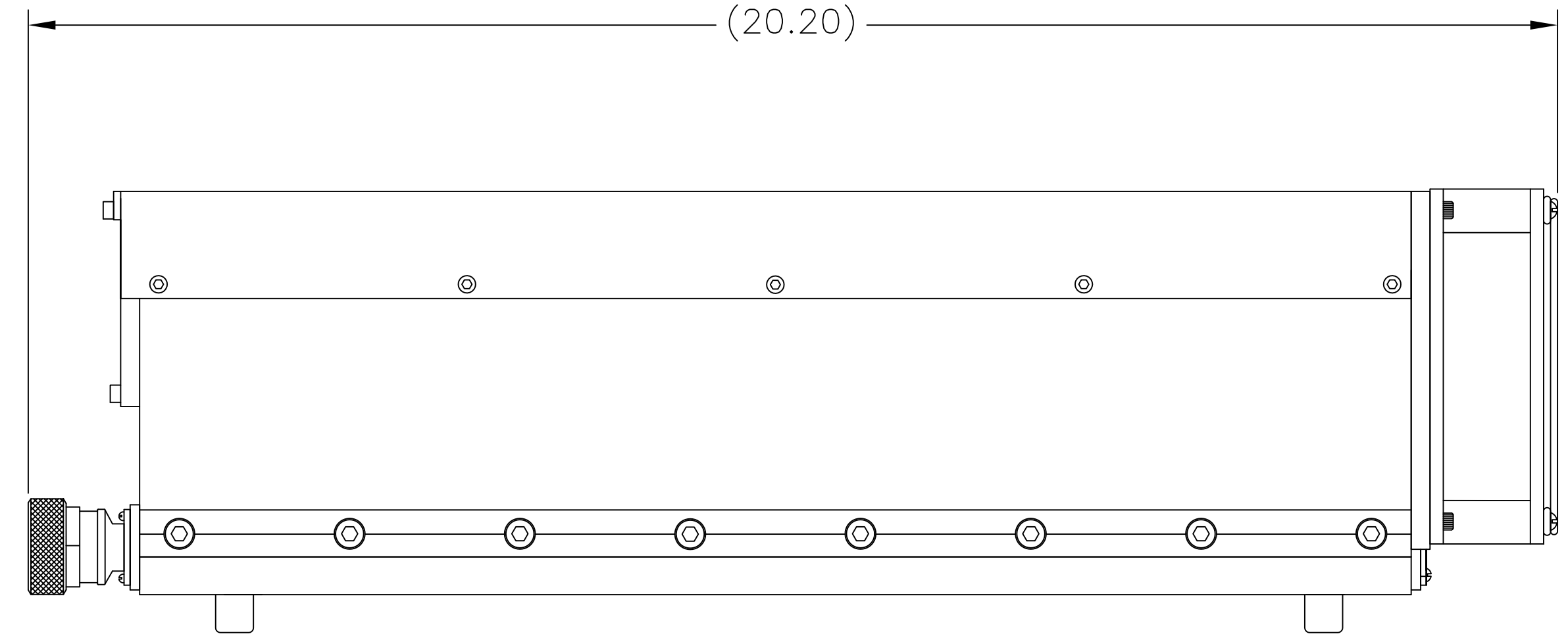
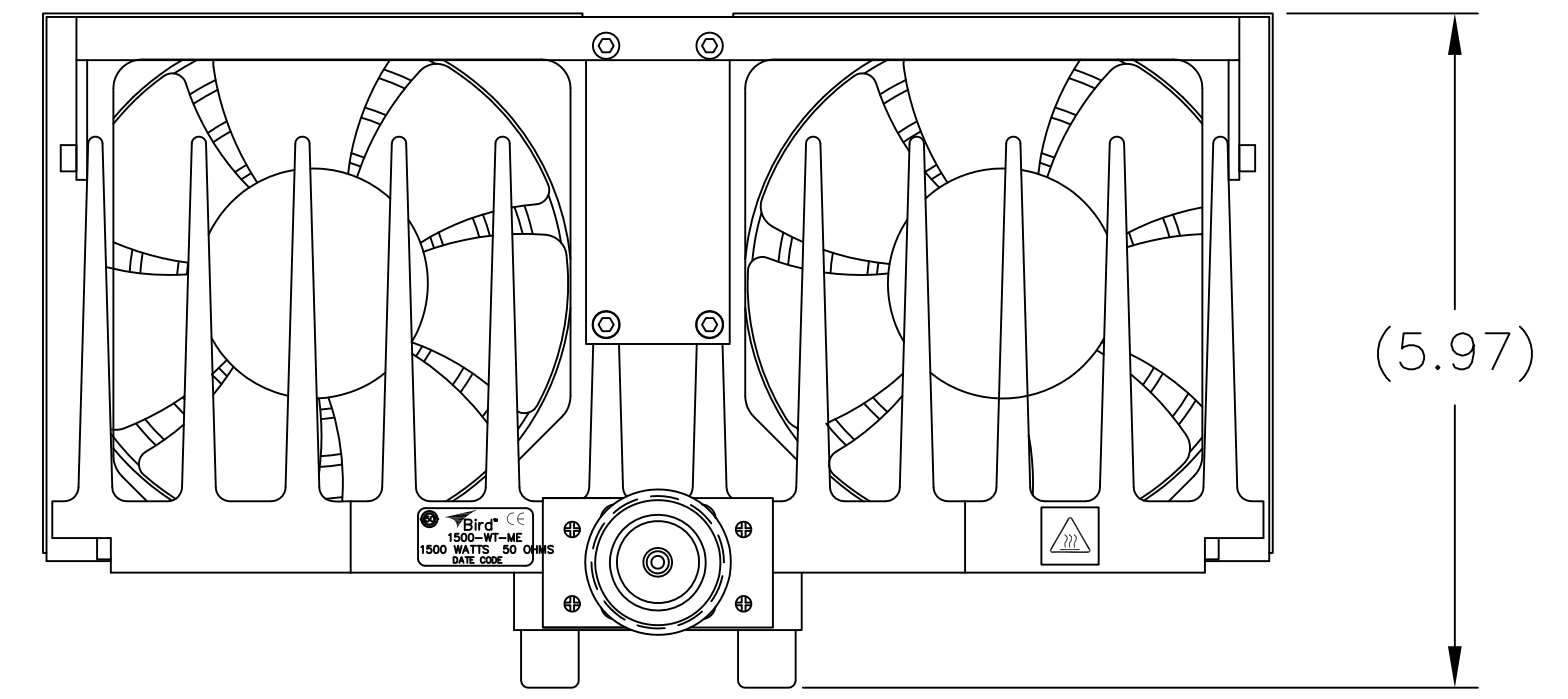
C

B

B

A

A



4x 1/4-20UNC-2B REMOVABLE STANDOFFS

SPECIFICATIONS:
 IMPEDANCE: 50 OHMS NOMINAL
 FREQUENCY RANGE: DC TO 2.4GHz
 VSWR: DC TO 1GHz AT 1.10:1 MAX.
 1GHz TO 2.4 GHz AT 1.25:1 MAX.
 POWER RATING: 1500 WATTS AVG. 4kW PEAK
 - WITH 210 CFM AIR FLOW AT 25°C.
 COOLING FIN AND SHROUD: ALUMINUM, BLACK ANODIZED
 COVER: ALUMINUM, BLACK ANODIZED
 CONNECTOR: 7/16 DIN MALE, TRI-ALLOY PLATED
 FANS: +12VDC, BRUSHLESS (ACTIVATED ONLY WHEN UNIT REACHES +70°C.)
 - 90 VAC TO 264 VAC, 47 Hz TO 63 Hz, UNIVERSAL TRANSFORMER INCLUDED
 OPERATING POSITION: HORIZONTALLY (STANDOFFS DOWN)
 NOMINAL SIZE: APPROX. 20.20" L X 10.63" W X 5.97" H
 WEIGHT: APPROX. 30 LBS

UNLESS OTHERWISE SPECIFIED DIMENSIONS ARE IN INCHES		APPROVALS		DATE
TOLERANCES ARE:		DRN	N. AZIM	1-16-18
FRACTIONS ±1/64	DECIMALS .XX ±.010 .XXX ±.005	CHK		
ANGLES ±30°	MILLIMETERS .X ±.4 .XX ±.12	APP		
DO NOT SCALE DRAWING		MATERIAL CODE		
THIS DRAWING IS THE PROPERTY OF THE BIRD TECHNOLOGIES GROUP OR BIRD ELECTRONIC CORP. ORIGIN, THE DESIGN AND SPECIFICATIONS DISCLOSED HEREIN ARE PROPRIETARY AND SHALL NOT BE REPRODUCED, NOR COPIED, NOR USED AS THE BASIS FOR THE MANUFACTURE OR SALE OF APPARATUS OR DEVICES WITHOUT THEIR EXPRESS WRITTEN CONSENT.		TITLE		
		TERMINATION, FORCED AIR COOLED, 7/16 DIN MALE, 1500W		
FSCM NO. 1	SCALE	DWG. NO.	REV	
D 70998	1:1	1500-WT-ME	A	
PROJ./LIB	AUTOCAD	COMM CODE	LD1	SHEET 1 OF 1

8

7

6

5

4

3

1

8

7

6

5

4

3

2

1